



BRAKE DISC PAINTED

09.A455.11

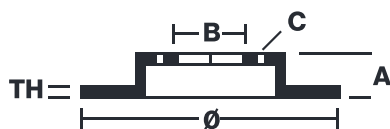
The 09.A455.11 painted brake disc is synonymous with reliability

The Brembo brake disc with special UV paint treatment guarantees superior corrosion resistance for the product, thanks to the protective coating on the outer edges and on the disc hub. The UV paint not only gives the disc a clean, shiny appearance but is also beneficial for the environment as the water-based UV paint treatment does not require the use of chemical solvents and is a low energy consumption process.

- ✓ OE-equivalent
- ✓ Brembo quality
- ✓ ECE-R90 certificate
- ✓ Safety
- ✓ Anti-corrosion
- ✓ Fastening screws

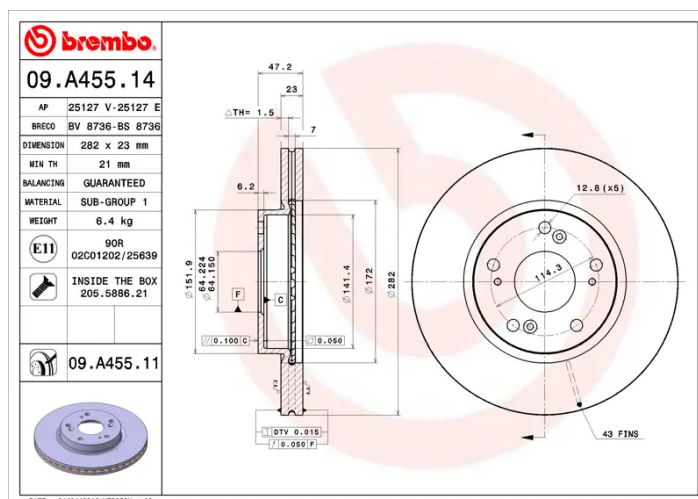


Technical specifications



EAN code	Axle	Diameter \varnothing
8020584222188	Front	282 mm
Thickness (TH)	Height (A)	Number of holes (C)
23 mm	47 mm	5
Brake disc type	Centering (B)	Min. thickness
Ventilated	64 mm	21 mm

Tightening torque
108 Nm



COMPATIBLE VEHICLES

COMPATIBLE OE PART NUMBERS

45251SNVH00	CIIMO
45251S7AE10	HONDA
45251S7AE11	HONDA
45251SMGE30	HONDA
45251SMGE31	HONDA
45251SMGG10	HONDA
45251SMGG11	HONDA
45251SNLT60	HONDA
45251TEAT00	HONDA
45251TR0E00	HONDA
45251SNVH00	HONDA (DONGFENG)
45251SNVH00	HONDA (GAC)