



BRAKE DISC PAINTED

09.A538.11

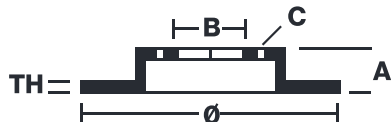
The 09.A538.11 painted brake disc is synonymous with reliability

The Brembo brake disc with special UV paint treatment guarantees superior corrosion resistance for the product, thanks to the protective coating on the outer edges and on the disc hub. The UV paint not only gives the disc a clean, shiny appearance but is also beneficial for the environment as the water-based UV paint treatment does not require the use of chemical solvents and is a low energy consumption process.

- ✓ OE-equivalent
- ✓ Brembo quality
- ✓ ECE-R90 certificate
- ✓ Safety
- ✓ Anti-corrosion

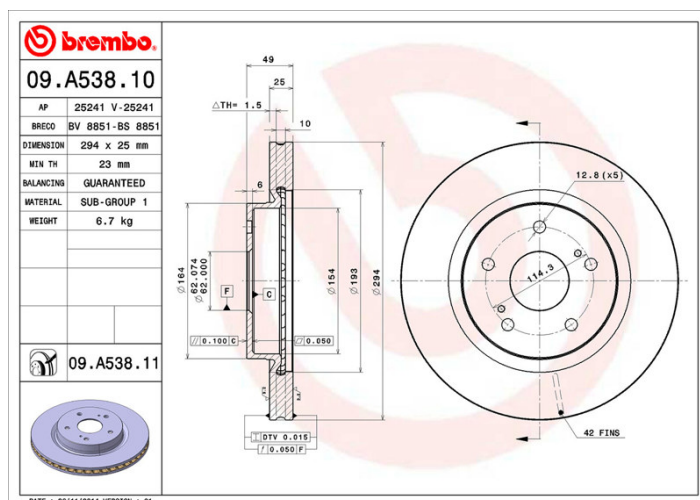


Technical specifications



EAN code	Axle	Diameter Ø
8020584210697	Front	294 mm
Thickness (TH)	Height (A)	Number of holes (C)
25 mm	49 mm	5
Brake disc type	Centering (B)	Min. thickness
Ventilated	62 mm	23 mm

Tightening torque
95 Nm



COMPATIBLE VEHICLES

COMPATIBLE OE PART NUMBERS

5521165J00	SUZUKI
------------	--------

5521165J01	SUZUKI
------------	--------

5521165J02	SUZUKI
------------	--------
