



BRAKE DISC PAINTED

09.A716.21

The 09.A716.21 painted brake disc is synonymous with reliability

The Brembo brake disc with special UV paint treatment guarantees superior corrosion resistance for the product, thanks to the protective coating on the outer edges and on the disc hub. The UV paint not only gives the disc a clean, shiny appearance but is also beneficial for the environment as the water-based UV paint treatment does not require the use of chemical solvents and is a low energy consumption process.

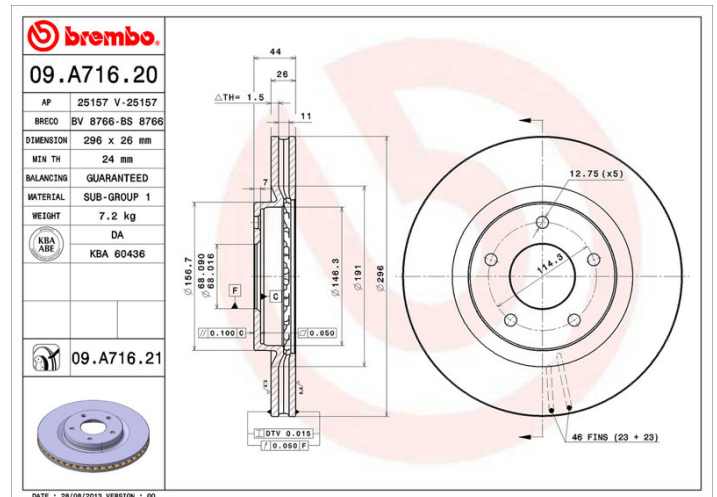
- ✓ OE-equivalent
- ✓ Brembo quality
- ✓ ECE-R90 certificate
- ✓ Safety
- ✓ Anti-corrosion



Technical specifications



EAN code 8020584032930	Axle Front	Diameter Ø 296 mm
Thickness (TH) 26 mm	Height (A) 44 mm	Number of holes (C) 5
Brake disc type Ventilated	Centering (B) 68 mm	Min. thickness 24 mm



COMPATIBLE VEHICLES

COMPATIBLE OE PART NUMBERS

40206JE20B	DONGFENG FENGDU
------------	-----------------

402061KC0A	NISSAN
------------	--------

402061KC0B	NISSAN
------------	--------

402061KC1A	NISSAN
------------	--------

402061KC1B	NISSAN
------------	--------

40206JG00A	NISSAN
------------	--------

40206JG00B	NISSAN
------------	--------

40206JG00C	NISSAN
------------	--------

402064CL0A	NISSAN (DFAC)
------------	---------------

40206JE20A	NISSAN (DFAC)
------------	---------------

40206JE20B	NISSAN (DFAC)
------------	---------------

402064CL0A	RENAULT (DFAC)
------------	----------------

402064CL0A	VENUCIA
------------	---------