

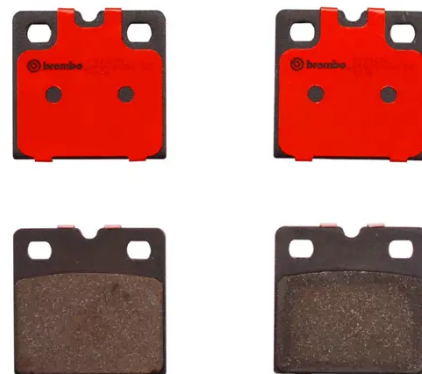


# BRAKE PAD PRIME CERAMIC P02001N

The P02001N NAO brake pad is  
synonymous with reliability

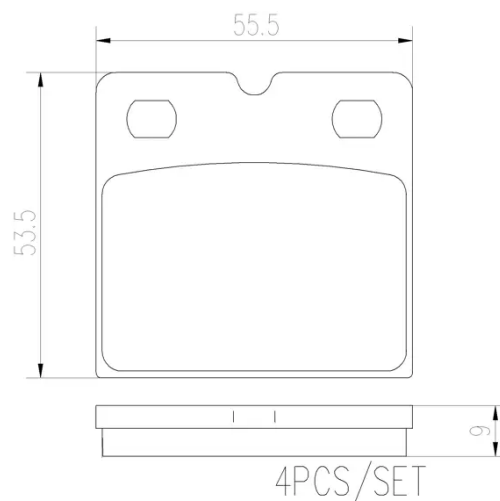
Brembo NAO brake pads stand out for their ultimate braking comfort, reduced friction wear and low dust mission, which makes for cleaner rims and reduced maintenance requirements. The advanced friction material in keeping with the strictest environmental standards is the main distinguishing feature of NAO compounds.

- ✓ OE-equivalent
- ✓ Brembo quality
- ✓ Safety
- ✓ Comfort
- ✓ Durability
- ✓ Dust reduction
- ✓ With accessories



## Technical specifications

EAN code	Axle	Thickness
8020584083611	Rear	9 mm
Width	Height	Braking system
56 mm	54 mm	Brembo
Wear indicator	WVA number	Accessories
Without	20610	With anti-squeal shim



COMPATIBLE VEHICLES

## COMPATIBLE OE PART NUMBERS

41060CK026 ACURA

---

43221T6NA52 ACURA

---

4G432C562BA ASTON MARTIN

---

AD432B926BA ASTON MARTIN

---

420698451A AUDI

---

420698451D AUDI

---

450698451C AUDI

---

450698451H AUDI

---

450698451N AUDI

---

05103794AA FREIGHTLINER

---

43221T6NA51 HONDA

---

C2C13800 JAGUAR

---

446530330 LEXUS

---

446530480 LEXUS

---

5581057L03 SUZUKI

---

100346000B TESLA

---

100346000D TESLA

---

446504050 TOYOTA

---

446535031 TOYOTA

---

446535040 TOYOTA

---

446535080 TOYOTA

---

446535240 TOYOTA

---

446535280 TOYOTA

---

446560030 TOYOTA

---

449135260 TOYOTA

---

449160080 TOYOTA

---