



BRAKE PAD PRIME CERAMIC P06042N

The P06042N NAO brake pad is synonymous with reliability

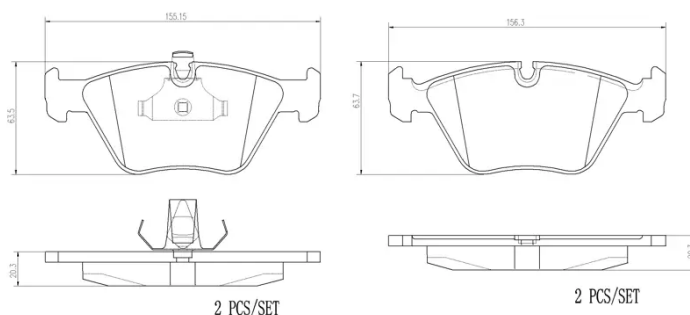
Brembo NAO brake pads stand out for their ultimate braking comfort, reduced friction wear and low dust mission, which makes for cleaner rims and reduced maintenance requirements. The advanced friction material in keeping with the strictest environmental standards is the main distinguishing feature of NAO compounds.

- ✓ OE-equivalent
- ✓ Brembo quality
- ✓ Safety
- ✓ Comfort
- ✓ Durability
- ✓ Dust reduction
- ✓ With accessories



Technical specifications

EAN code 8020584113431	Axle Front	Thickness 20 mm
Width 151 mm	Height 64 mm	Braking system Teves
Wear indicator Prepared for wear indicator	VVA number 21676,23474	Accessories With anti-squeal shim With accessories With piston clip



COMPATIBLE VEHICLES

COMPATIBLE OE PART NUMBERS

34112282415	BMW
34112282995	BMW
34116754705	BMW