



# BRAKE PAD PRIME CERAMIC P10099N

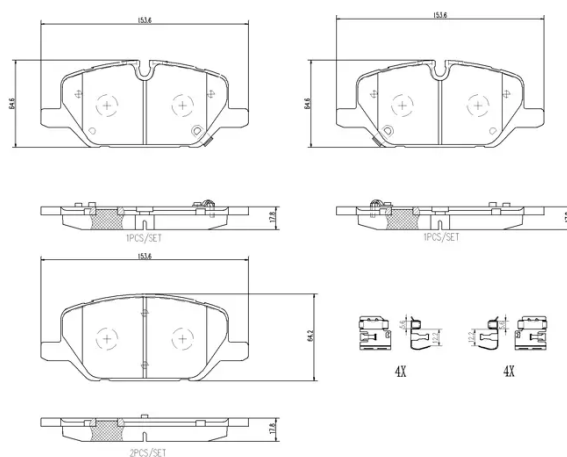
The P10099N NAO brake pad is synonymous with reliability

Brembo NAO brake pads stand out for their ultimate braking comfort, reduced friction wear and low dust mission, which makes for cleaner rims and reduced maintenance requirements. The advanced friction material in keeping with the strictest environmental standards is the main distinguishing feature of NAO compounds.

- ✓ OE-equivalent
- ✓ Brembo quality
- ✓ Safety
- ✓ Comfort
- ✓ Durability
- ✓ Dust reduction
- ✓ With accessories

## Technical specifications

EAN code <b>8020584128985</b>	Axle <b>Front</b>	Thickness <b>18 mm</b>
Width <b>154 mm</b>	Height <b>64 mm</b>	
Wear indicator <b>Acoustic</b>	Accessories <b>With anti-squeal shim</b>	



COMPATIBLE VEHICLES

## COMPATIBLE OE PART NUMBERS

42790921 BUICK (SGM)

---

84685662 BUICK (SGM)

---

84724107 BUICK (SGM)

---

84755225 BUICK (SGM)

---

84625774 CADILLAC (SGM)

---

84685662 CADILLAC (SGM)

---

84686572 CADILLAC (SGM)

---

84755225 CADILLAC (SGM)

---

85144494 CADILLAC (SGM)

---

84793349 CHEVROLET

---

84685662 CHEVROLET (SGM)

---

84755225 CHEVROLET (SGM)

---

42794673 OPEL

---

84782067 OPEL

---

42794673 VAUXHALL

---