



BRAKE PAD PRIME CERAMIC P11018N

The P11018N NAO brake pad is synonymous with reliability

Brembo NAO brake pads stand out for their ultimate braking comfort, reduced friction wear and low dust mission, which makes for cleaner rims and reduced maintenance requirements. The advanced friction material in keeping with the strictest environmental standards is the main distinguishing feature of NAO compounds.

- ✓ OE-equivalent
- ✓ Brembo quality
- ✓ Safety
- ✓ Comfort
- ✓ Durability
- ✓ Dust reduction
- ✓ With accessories



Technical specifications

EAN code
8020584096567

Thickness
18 mm

Width
101 mm

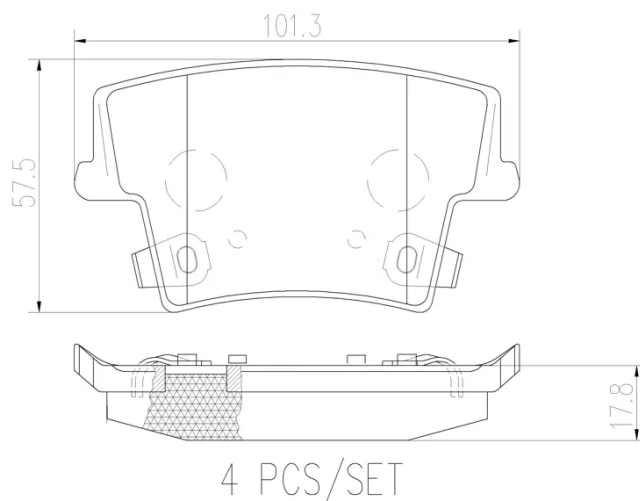
Height
58 mm

Braking system
Bosch

Wear indicator
Acoustic

WVA number
24163

Accessories
With anti-squeal shim



COMPATIBLE OE PART NUMBERS