

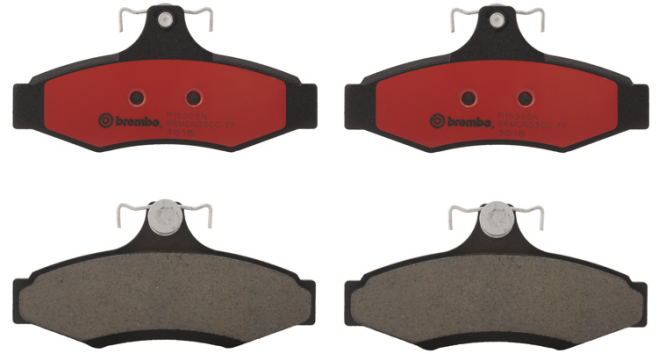


# BRAKE PAD NAO P15005N

The P15005N NAO brake pad is synonymous with reliability



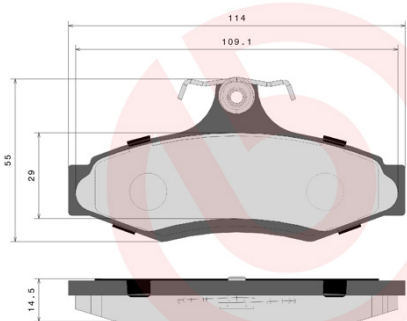

Brembo NAO brake pads stand out for their ultimate braking comfort, reduced friction wear and low dust mission, which makes for cleaner rims and reduced maintenance requirements. The advanced friction material in keeping with the strictest environmental standards is the main distinguishing feature of NAO compounds.

- ✓ OE-equivalent
- ✓ Brembo quality
- ✓ Safety
- ✓ Comfort
- ✓ Durability
- ✓ Dust reduction
- ✓ With accessories



## Technical specifications

EAN code <b>8020584086568</b>	Axle <b>Rear</b>	Thickness <b>15 mm</b>
Width <b>114 mm</b>	Height <b>55 mm</b>	Braking system <b>Lucas</b>
Wear indicator <b>Without</b>	WVA number <b>23237</b>	Accessories <b>With brake caliper bolts</b> <b>With anti-squeal shim</b>

	<b>P15005N</b>		407.E672.A77.N
			
<p>WVA: 23237 QTY: x4</p>			
<small>DATE : 01/12/2023 VERSION : 00</small>			

COMPATIBLE VEHICLES

## COMPATIBLE OE PART NUMBERS

96391892 CHEVROLET

---

AW346513 CHEVROLET

---

54521006 CHEVROLET

---

96245179 DAEWOO

---

96253368 DAEWOO

---

54521001 DAEWOO

---

54521006 DAEWOO

---