



# BRAKE PAD PRIME CERAMIC P23149N

The P23149N NAO brake pad is synonymous with reliability

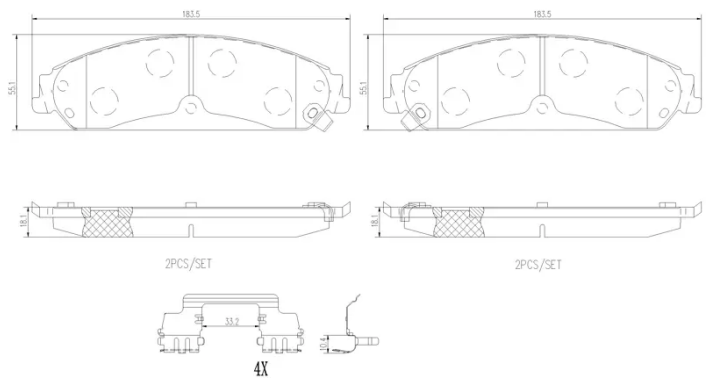
Brembo NAO brake pads stand out for their ultimate braking comfort, reduced friction wear and low dust mission, which makes for cleaner rims and reduced maintenance requirements. The advanced friction material in keeping with the strictest environmental standards is the main distinguishing feature of NAO compounds.

- ✓ OE-equivalent
- ✓ Brembo quality
- ✓ Safety
- ✓ Comfort
- ✓ Durability
- ✓ Dust reduction
- ✓ With accessories



## Technical specifications

EAN code <b>8020584116920</b>	Axle <b>Front</b>	Thickness <b>17 mm</b>
Width <b>184 mm</b>	Height <b>55 mm</b>	Braking system <b>Bosch</b>
Wear indicator <b>Acoustic</b>	WVA number <b>25606,25605</b>	Accessories <b>With accessories</b> <b>With anti-squeal shim</b> <b>With brake caliper bolts</b>



COMPATIBLE VEHICLES

## COMPATIBLE OE PART NUMBERS

00K68147681AA CHRYSLER

---

05137688AA CHRYSLER

---

05142558AB CHRYSLER

---

05142558AC CHRYSLER

---

068147681AA CHRYSLER

---

5137688AA CHRYSLER

---

5142558AA CHRYSLER

---

5142558AB CHRYSLER

---

5142558AC CHRYSLER

---

68147681AA CHRYSLER

---

68147681AB CHRYSLER

---

68185434AA CHRYSLER

---

68185543AA CHRYSLER

---

K05137688AA CHRYSLER

---

K68185543AA CHRYSLER

---

00K68185434AA FIAT

---

05137688AA FIAT

---

68147681AA FIAT

---

00K68147681AB LANCIA

---

05137688AA LANCIA

---

68147681AA LANCIA

---

68185434AA LANCIA

---

K5142559AA LANCIA

---

K68147681AA LANCIA

---

K68185434AA LANCIA

---