



BRAKE PAD PRIME CERAMIC P24048N

The P24048N NAO brake pad is synonymous with reliability

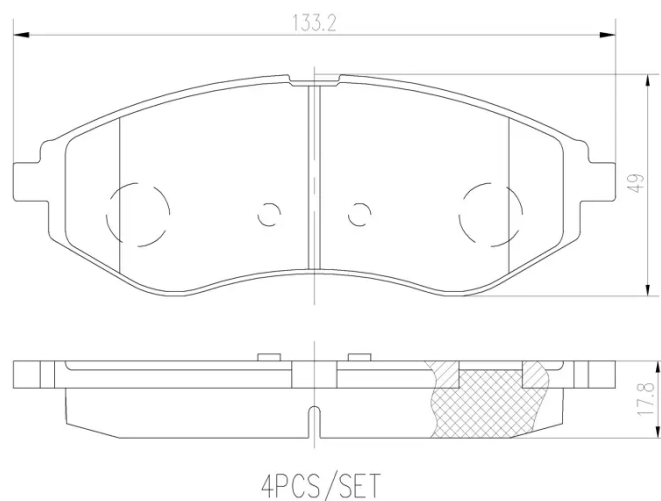
Brembo NAO brake pads stand out for their ultimate braking comfort, reduced friction wear and low dust mission, which makes for cleaner rims and reduced maintenance requirements. The advanced friction material in keeping with the strictest environmental standards is the main distinguishing feature of NAO compounds.

- ✓ OE-equivalent
- ✓ Brembo quality
- ✓ Safety
- ✓ Comfort
- ✓ Durability
- ✓ Dust reduction
- ✓ With accessories



Technical specifications

EAN code 8020584096994	Axle Front	Thickness 18 mm
Width 133 mm	Height 49 mm	Braking system Akebono
Wear indicator Without	WVA number 23974	Accessories With anti-squeal shim



COMPATIBLE VEHICLES

COMPATIBLE OE PART NUMBERS

96534653	CHEVROLET
93723736	CHEVROLET (SGM)
96534653	DAEWOO
PW892497	DAEWOO
PC351112	PROTON
PW891729	PROTON