



BRAKE PAD NAO P24166N

The P24166N NAO brake pad is synonymous with reliability

Brembo NAO brake pads stand out for their ultimate braking comfort, reduced friction wear and low dust mission, which makes for cleaner rims and reduced maintenance requirements. The advanced friction material in keeping with the strictest environmental standards is the main distinguishing feature of NAO compounds.

- ✓ OE-equivalent
- ✓ Brembo quality
- ✓ Safety
- ✓ Comfort
- ✓ Durability
- ✓ Dust reduction
- ✓ With accessories



Technical specifications

EAN code
8020584112359

Axle
Front

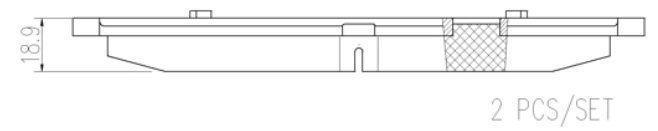
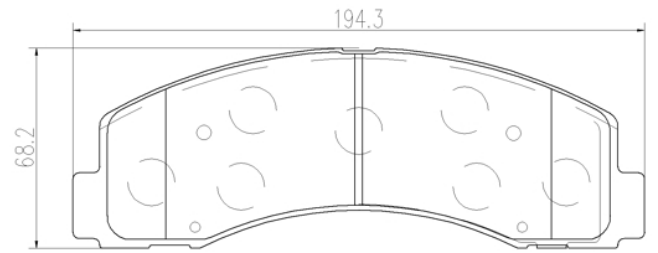
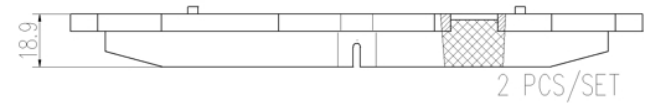
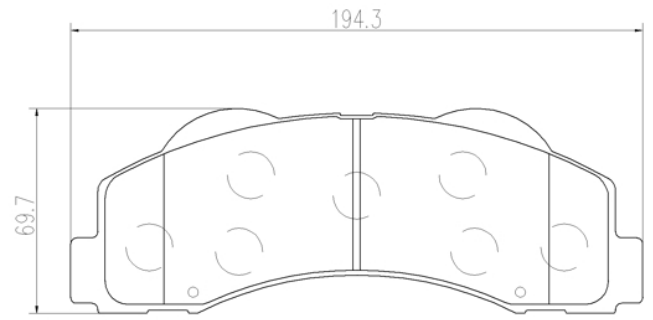
Thickness
19 mm

Width
194 mm

Height
68 mm

Wear indicator
Without

Accessories
With anti-squeal shim



COMPATIBLE VEHICLES

COMPATIBLE OE PART NUMBERS

8L3Z2V001B FORD

AL3Z2001A FORD

AL3Z2001B FORD

BL3Z2001A FORD

BL3Z2001B FORD

BL3Z2001C FORD

DL3Z2001A FORD USA

DL3Z2001B FORD USA

FL1Z2001B FORD USA

FL1Z2001D FORD USA

FL1Z2001E FORD USA

JL3Z2001A FORD USA

JL3Z2001B FORD USA

KL3Z2001A FORD USA

BRF1505 LINCOLN

BRF7 LINCOLN

BRF7B LINCOLN

BRSD1414 LINCOLN

DL3Z2001B LINCOLN

FI1Z2001A LINCOLN

FL1Z2001B LINCOLN

FL1Z2001C LINCOLN
