



BRAKE PAD NAO P30077N

The P30077N NAO brake pad is synonymous with reliability

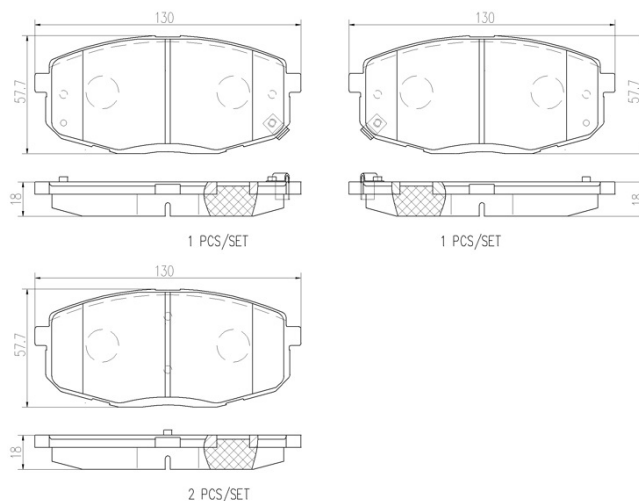
Brembo NAO brake pads stand out for their ultimate braking comfort, reduced friction wear and low dust mission, which makes for cleaner rims and reduced maintenance requirements. The advanced friction material in keeping with the strictest environmental standards is the main distinguishing feature of NAO compounds.

- ✓ OE-equivalent
- ✓ Brembo quality
- ✓ Safety
- ✓ Comfort
- ✓ Durability
- ✓ Dust reduction
- ✓ With accessories



Technical specifications

EAN code 8020584081549	Axle Front	Thickness 18 mm
Width 130 mm	Height 58 mm	Braking system Mando
Wear indicator Acoustic	WVA number 22054,22052,22053	Accessories With anti-squeal shim



COMPATIBLE VEHICLES

COMPATIBLE OE PART NUMBERS

C2010700500	CHANGAN
C2010700501	CHANGAN
58101J9A55	HYUNDAI
58101M4A10	HYUNDAI
58101C9A00	HYUNDAI (BEIJING)
58101C9A50	HYUNDAI (BEIJING)
581011MA00	KIA
581011MA01	KIA
581011MA20	KIA
581011MA21	KIA
58101B2A00	KIA
58101B3A60	KIA (DYK)