



BRAKE PAD PRIME CERAMIC P30102N

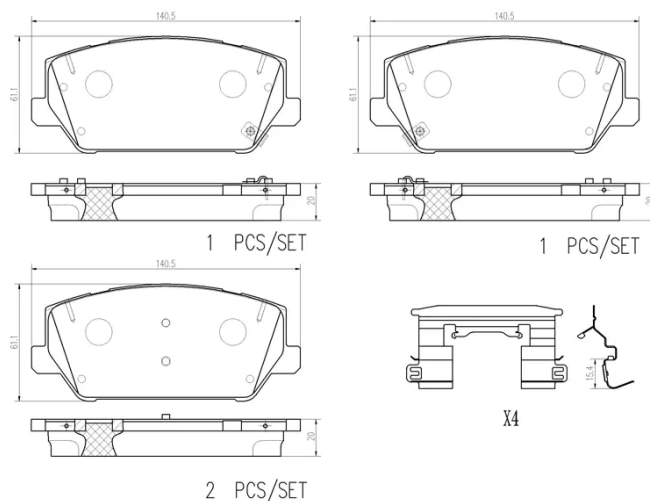
The P30102N NAO brake pad is synonymous with reliability

Brembo NAO brake pads stand out for their ultimate braking comfort, reduced friction wear and low dust mission, which makes for cleaner rims and reduced maintenance requirements. The advanced friction material in keeping with the strictest environmental standards is the main distinguishing feature of NAO compounds.

- ✓ OE-equivalent
- ✓ Brembo quality
- ✓ Safety
- ✓ Comfort
- ✓ Durability
- ✓ Dust reduction
- ✓ With accessories

Technical specifications

| | | |
|-----------------------------------|--|---|
| EAN code 8020584118801 | Axle Front | Thickness 20 mm |
| Width 141 mm | Height 61 mm | Braking system Galfer |
| Wear indicator Acoustic | WVA number 22856,22857,22855 | Accessories With anti-squeal shim |



COMPATIBLE VEHICLES

COMPATIBLE OE PART NUMBERS

58101G8A30 HYUNDAI

58101I3A00 HYUNDAI

58101K9A10 HYUNDAI

58101S0A00 HYUNDAI

58101S0A10 HYUNDAI

58101S0A10SK1 HYUNDAI

58101S0A20 HYUNDAI

58101S1A00 HYUNDAI

58101D4A80 KIA
