



BRAKE PAD PRIME CERAMIC P49025N

The P49025N NAO brake pad is synonymous with reliability

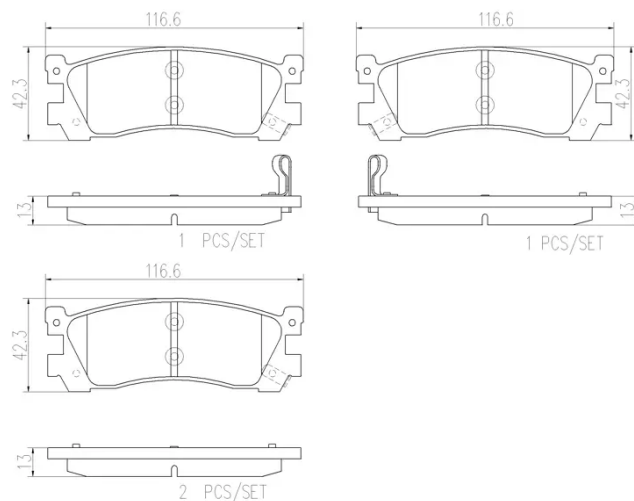
Brembo NAO brake pads stand out for their ultimate braking comfort, reduced friction wear and low dust mission, which makes for cleaner rims and reduced maintenance requirements. The advanced friction material in keeping with the strictest environmental standards is the main distinguishing feature of NAO compounds.

- ✓ OE-equivalent
- ✓ Brembo quality
- ✓ Safety
- ✓ Comfort
- ✓ Durability
- ✓ Dust reduction
- ✓ With accessories



Technical specifications

EAN code 8020584086445	Axle Rear	Thickness 13 mm
Width 117 mm	Height 42 mm	Braking system Akebono
Wear indicator Acoustic	WVA number 21319,21320,21321	Accessories With anti-squeal shim



COMPATIBLE VEHICLES

COMPATIBLE OE PART NUMBERS

1U0E2648Z MAZDA

1U0L2648Z MAZDA

1U0M2648Z MAZDA

H2662648Z MAZDA

H2662648ZA MAZDA

H2912648Z MAZDA

H4Y02643Z MAZDA

H4Y02648Z MAZDA

HE392648ZA MAZDA

HF392648Z MAZDA

HF392648ZA MAZDA

J0V126432B MAZDA

J0Y12643Z MAZDA

J0Y12643ZA MAZDA

J0Y12643ZB MAZDA

J0Y12648Z MAZDA

LAZ23328Z MAZDA

LBY02643Z MAZDA

LCY12643Z MAZDA

S0YN2643Z MAZDA

S0YN2648Z MAZDA

S1YH2643Z MAZDA

T0Y02643Z MAZDA

T0Y02648Z MAZDA

TA012643Z MAZDA

TA012648Z MAZDA

TAY22643Z MAZDA

TAY22648Z MAZDA

TBY72643Z MAZDA

TBY72648Z MAZDA

TCY12643Z MAZDA

TCY12648Z MAZDA

TCY22643Z MAZDA

TCY72648Z MAZDA

TCY22643ZA MITSUBISHI

TCY72643Z MITSUBISHI

AY060MA003 NISSAN

AY060MA004 NISSAN

AY060MA008 NISSAN