



# BRAKE PAD XTRA CERAMIC P65021NX

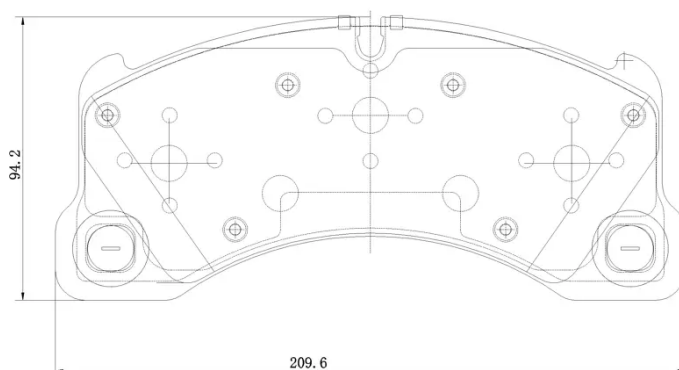
**Xtra Ceramic brake pad P65021NX belongs to Brembo Cool Line**

Brembo Xtra Ceramic brake pads have a specific compound which, beside being copper free, also contains less metal compared to Xtra pads. This feature make Xtra Ceramic more focused on comfort and cleaner rims, thanks to the ceramic friction material, while guaranteeing the top performance proper of the Xtra line. Xtra Ceramic range is fully ECE R90 homologated.

- ✓ OE-equivalent
- ✓ Brembo quality
- ✓ ECE-R90 certificate
- ✓ Safety
- ✓ Performance
- ✓ Dust reduction
- ✓ Comfort

## Technical specifications

EAN code <b>8020584130704</b>	Axle <b>Front</b>	Thickness <b>17 mm</b>
Width <b>210 mm</b>	Height <b>94 mm</b>	Braking system <b>Brembo</b>
Wear indicator <b>Prepared for wear indicator</b>	WVA number <b>25007</b>	Accessories <b>With anti-squeal shim</b>



COMPATIBLE VEHICLES

## COMPATIBLE OE PART NUMBERS

7P0698151 AUDI

---

7P0698151B AUDI

---

9J1698151K AUDI

---

7P0698151G PORSCHE

---

7P5698151D PORSCHE

---

95835193900 PORSCHE

---

95835193901 PORSCHE

---

95835193910 PORSCHE

---

95B698151BB PORSCHE

---

95B698151C PORSCHE

---

97035194901 PORSCHE

---

97035194906 PORSCHE

---

97035194907 PORSCHE

---

971698151F PORSCHE

---

9J1698151H PORSCHE

---

9J1698151K PORSCHE

---

PAA698151 PORSCHE

---

7P0698151B SEAT

---

7P0698151C SEAT

---

7P6698151 SKODA

---

7P6698151B SKODA

---

7P0698151 VW

---

7P0698151B VW

---

7P0698151C VW

---

7P0698151D VW

---