



BRAKE PAD PRIME CERAMIC P68032N

The P68032N NAO brake pad is synonymous with reliability

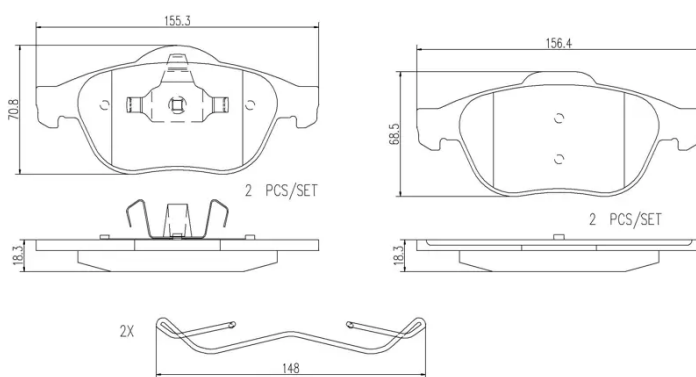
Brembo NAO brake pads stand out for their ultimate braking comfort, reduced friction wear and low dust mission, which makes for cleaner rims and reduced maintenance requirements. The advanced friction material in keeping with the strictest environmental standards is the main distinguishing feature of NAO compounds.

- ✓ OE-equivalent
- ✓ Brembo quality
- ✓ Safety
- ✓ Comfort
- ✓ Durability
- ✓ Dust reduction
- ✓ With accessories



Technical specifications

EAN code 8020584099360	Axle Front	Thickness 18 mm
Width 155 mm	Height 69 mm	Braking system Teves
Wear indicator Without	WVA number 23248,23245	Accessories With piston clip With anti-squeal shim With accessories



COMPATIBLE VEHICLES

COMPATIBLE OE PART NUMBERS

8891615050 LYNK & CO

410603759R RENAULT

410607716R RENAULT

7701206747 RENAULT

7701207615 RENAULT

7701207977 RENAULT

7701209810 RENAULT

7702207615 RENAULT

8660003512 RENAULT

8660004764 RENAULT

8671016752 RENAULT
