



# BRAKE PAD NAO P79032N

The P79032N NAO brake pad is synonymous with reliability

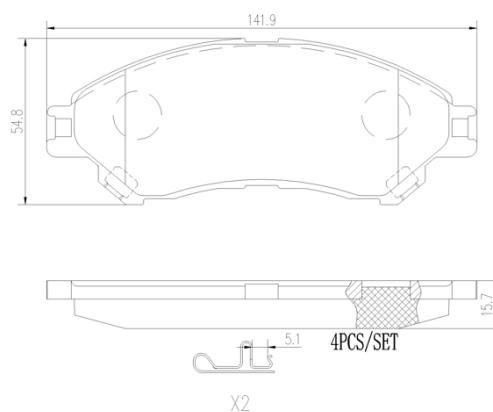
Brembo NAO brake pads stand out for their ultimate braking comfort, reduced friction wear and low dust mission, which makes for cleaner rims and reduced maintenance requirements. The advanced friction material in keeping with the strictest environmental standards is the main distinguishing feature of NAO compounds.

- ✓ OE-equivalent
- ✓ Brembo quality
- ✓ Safety
- ✓ Comfort
- ✓ Durability
- ✓ Dust reduction
- ✓ With accessories



## Technical specifications

EAN code <b>8020584114407</b>	Axle <b>Front</b>	Thickness <b>16 mm</b>
Width <b>142 mm</b>	Height <b>55 mm</b>	Braking system <b>Sumitomo</b>
Wear indicator <b>Acoustic</b>	WVA number <b>25979</b>	Accessories <b>With anti-squeal shim</b>



COMPATIBLE VEHICLES

## COMPATIBLE OE PART NUMBERS

4605B949	mitsubishi
5581061M00	SUZUKI
5581061M00000	SUZUKI
5581061M01	SUZUKI
5581061M01000	SUZUKI
5581061M02	SUZUKI
5581061M02000	SUZUKI
5581061M50	SUZUKI
5581061M50000	SUZUKI
5581061M51	SUZUKI
5581061M51000	SUZUKI
5581061M52	SUZUKI
5581061M52000	SUZUKI
5581061M53	SUZUKI
55200D66Y00C000	SUZUKI (CHANGAN)