



BRAKE PAD PRIME CERAMIC P85132N

The P85132N NAO brake pad is synonymous with reliability

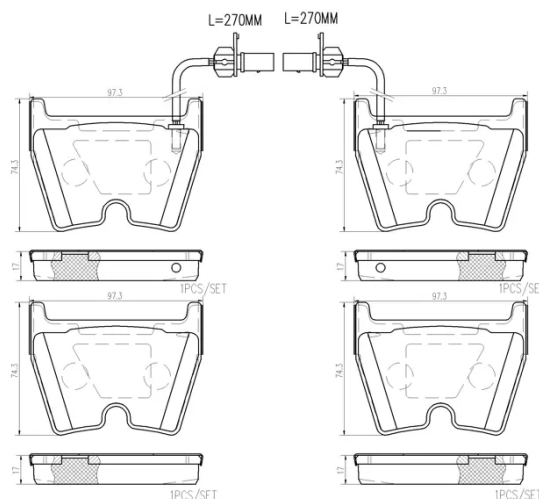
Brembo NAO brake pads stand out for their ultimate braking comfort, reduced friction wear and low dust mission, which makes for cleaner rims and reduced maintenance requirements. The advanced friction material in keeping with the strictest environmental standards is the main distinguishing feature of NAO compounds.

- ✓ OE-equivalent
- ✓ Brembo quality
- ✓ Safety
- ✓ Comfort
- ✓ Durability
- ✓ Dust reduction
- ✓ With accessories



Technical specifications

EAN code 8020584115213	Axle Front	Thickness 17 mm
Width 97 mm	Height 74 mm	Braking system Brembo
Wear indicator Electric	WVA number 24517,24516,23751	Accessories With anti-squeal shim



COMPATIBLE VEHICLES

COMPATIBLE OE PART NUMBERS

450698151	AUDI
-----------	------

450698151B	AUDI
------------	------

450698151J	AUDI
------------	------

8E0698151Q	AUDI
------------	------

450698151	SEAT
-----------	------

450698151B	SEAT
------------	------

450698151J	SEAT
------------	------

8E0698151Q	SEAT
------------	------

450698151	SKODA
-----------	-------

450698151B	SKODA
------------	-------

450698151J	SKODA
------------	-------

8E0698151Q	SKODA
------------	-------

450698151	VW
-----------	----

450698151B	VW
------------	----

450698151J	VW
------------	----

8E0698151Q	VW
------------	----