



# BRAKE PAD PRIME CERAMIC P85134N

The P85134N NAO brake pad is synonymous with reliability

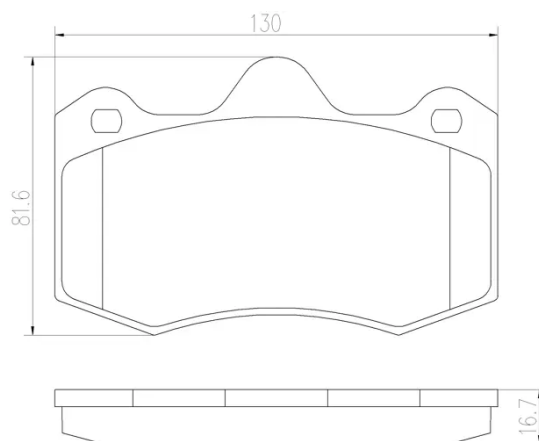
Brembo NAO brake pads stand out for their ultimate braking comfort, reduced friction wear and low dust mission, which makes for cleaner rims and reduced maintenance requirements. The advanced friction material in keeping with the strictest environmental standards is the main distinguishing feature of NAO compounds.

- ✓ OE-equivalent
- ✓ Brembo quality
- ✓ Safety
- ✓ Comfort
- ✓ Durability
- ✓ Dust reduction
- ✓ With accessories



## Technical specifications

EAN code	Axle	Thickness
<b>8020584068137</b>	<b>Front</b>	<b>17 mm</b>
Width	Height	Braking system
<b>130 mm</b>	<b>82 mm</b>	<b>Lockheed</b>
Wear indicator	WVA number	Accessories
<b>Without</b>	<b>24974</b>	<b>With anti-squeal shim</b>



4 PCS/SET

COMPATIBLE VEHICLES

## COMPATIBLE OE PART NUMBERS

6LL698151	AUDI
-----------	------

A132J0326S	LOTUS
------------	-------

6LL698151	SEAT
-----------	------

6LL698151	SKODA
-----------	-------

6LL698151	VW
-----------	----

JZW615301G	VW
------------	----