



BRAKE PAD

P 09 009

The P 09 009 brake pad is synonymous with reliability

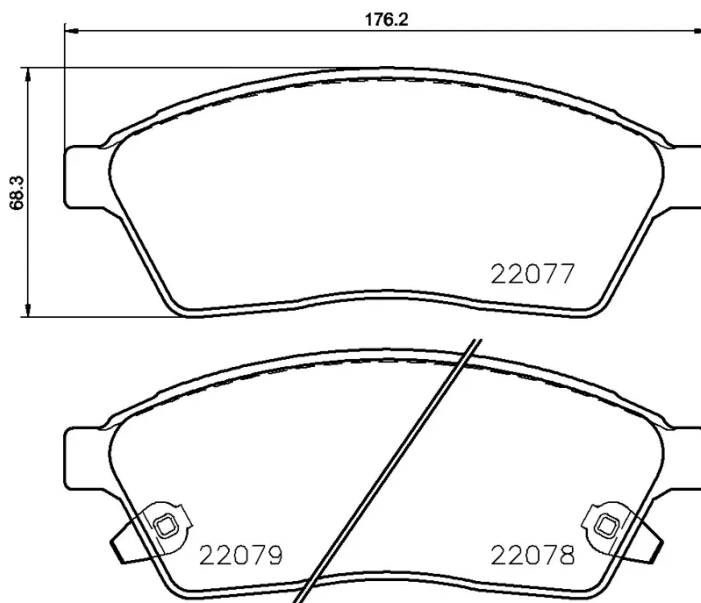
The Brembo brake pad guarantees ultimate safety when braking thanks to the use of more than 100 different compounds, designed according to the type of vehicle and use. Stopping distances reduced to a minimum, maximum driving comfort and silent operation are the most important features of Brembo materials. Brembo brake pads are supplied together with an extensive range of accessories and assembly kits for professional-standard installation.

- ✓ OE-equivalent
- ✓ Brembo quality
- ✓ ECE-R90 certificate
- ✓ Safety
- ✓ Performance
- ✓ Comfort
- ✓ With accessories



Technical specifications

EAN code 8020584083840	Axle Front	Thickness 18 mm
Width 176 mm	Height 68 mm	Braking system Mando
Wear indicator Acoustic	WVA number 22078,22077,22079	Accessories With anti-squeal shim With piston clip With accessories



COMPATIBLE VEHICLES

COMPATIBLE OE PART NUMBERS

20872587	CADILLAC
----------	----------

20941707	CADILLAC
----------	----------

20983943	CADILLAC
----------	----------
