



# BRAKE PAD

## P 10 099

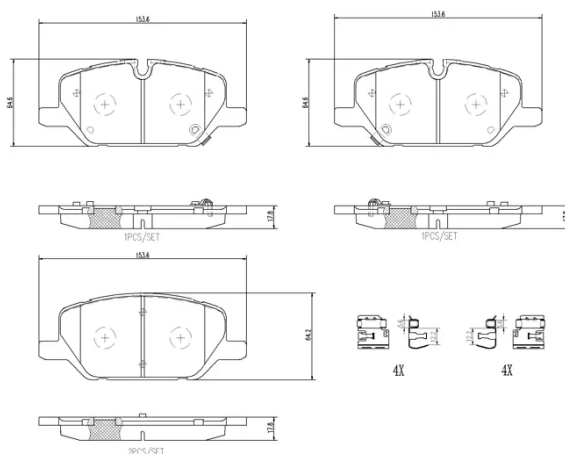
The P 10 099 brake pad is synonymous with reliability

The Brembo brake pad guarantees ultimate safety when braking thanks to the use of more than 100 different compounds, designed according to the type of vehicle and use. Stopping distances reduced to a minimum, maximum driving comfort and silent operation are the most important features of Brembo materials. Brembo brake pads are supplied together with an extensive range of accessories and assembly kits for professional-standard installation.

- ✓ OE-equivalent
- ✓ Brembo quality
- ✓ ECE-R90 certificate
- ✓ Safety
- ✓ Performance
- ✓ Comfort

### Technical specifications

EAN code	Axle	Thickness
<b>8020584128978</b>	<b>Front</b>	<b>18 mm</b>
Width	Height	
<b>154 mm</b>	<b>64 mm</b>	
Wear indicator	Accessories	
<b>Acoustic</b>	<b>With anti-squeal shim</b>	



COMPATIBLE VEHICLES

## COMPATIBLE OE PART NUMBERS

42790921 BUICK (SGM)

---

84685662 BUICK (SGM)

---

84724107 BUICK (SGM)

---

84755225 BUICK (SGM)

---

84625774 CADILLAC (SGM)

---

84685662 CADILLAC (SGM)

---

84686572 CADILLAC (SGM)

---

84755225 CADILLAC (SGM)

---

85144494 CADILLAC (SGM)

---

84793349 CHEVROLET

---

84685662 CHEVROLET (SGM)

---

84755225 CHEVROLET (SGM)

---

42794673 OPEL

---

84782067 OPEL

---

42794673 VAUXHALL

---