



BRAKE PAD

P 28 030

The P 28 030 brake pad is synonymous with reliability



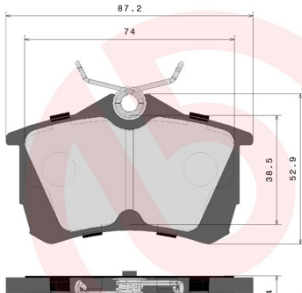

The Brembo brake pad guarantees ultimate safety when braking thanks to the use of more than 100 different compounds, designed according to the type of vehicle and use. Stopping distances reduced to a minimum, maximum driving comfort and silent operation are the most important features of Brembo materials. Brembo brake pads are supplied together with an extensive range of accessories and assembly kits for professional-standard installation.

- ✓ OE-equivalent
- ✓ Brembo quality
- ✓ ECE-R90 certificate
- ✓ Safety
- ✓ Performance
- ✓ Comfort



Technical specifications

EAN code	Axle	Thickness
8020584052648	Rear	15 mm
Width	Height	Braking system
87 mm	53 mm	Lucas
Wear indicator	WVA number	
Acoustic	23527	

	P 28 030		407.E672.080
			ACUSTIC WEAR INDICATOR 07.E654.038 - x2 
WVA: 23527 QTY: x4			
<small>DATE : 14/11/2023 VERSION : 00</small>			

COMPATIBLE OE PART NUMBERS

43022S1AE02	HONDA
-------------	-------

43022S1AE03	HONDA
-------------	-------

43022S1AE30	HONDA
-------------	-------

43022S1AE50	HONDA
-------------	-------

43022SEAE01	HONDA
-------------	-------

43022SEAE10	HONDA
-------------	-------
