



BRAKE PAD

P 49 032

The P 49 032 brake pad is synonymous with reliability

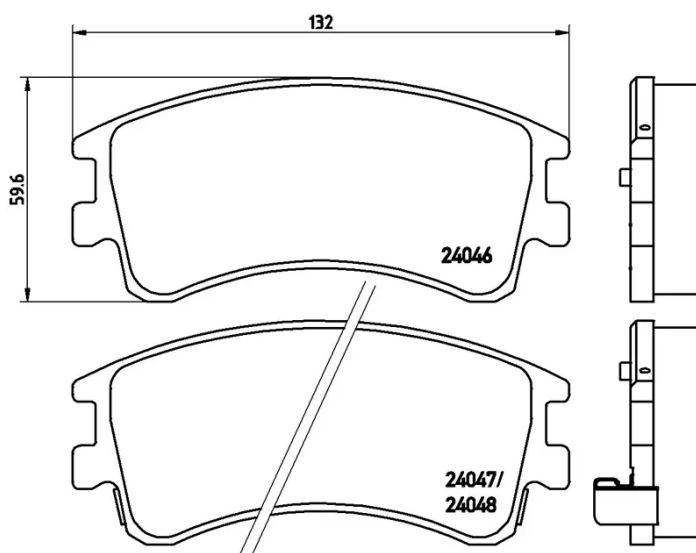
The Brembo brake pad guarantees ultimate safety when braking thanks to the use of more than 100 different compounds, designed according to the type of vehicle and use. Stopping distances reduced to a minimum, maximum driving comfort and silent operation are the most important features of Brembo materials. Brembo brake pads are supplied together with an extensive range of accessories and assembly kits for professional-standard installation.

- ✓ OE-equivalent
- ✓ Brembo quality
- ✓ ECE-R90 certificate
- ✓ Safety
- ✓ Performance
- ✓ Comfort



Technical specifications

EAN code 8020584053690	Axle Front	Thickness 18 mm
Width 132 mm	Height 60 mm	Braking system Akebono
Wear indicator Acoustic	WVA number 24046,24047,24048	Accessories With anti-squeal shim



COMPATIBLE VEHICLES

COMPATIBLE OE PART NUMBERS

G2YS2223Z MAZDA

G2YS3323Z MAZDA

G2YS3323ZA MAZDA

G2YS3323ZB MAZDA

G2YS3328Z MAZDA

GJYE3323ZA MAZDA

GJYE3323ZB MAZDA

GJYE3323ZC MAZDA

GJYE3323ZD MAZDA

GJYE3323ZE MAZDA

GJYE3323ZF MAZDA

GJYE3323ZG MAZDA

GJYE3328ZB MAZDA

GJYE3328ZC MAZDA

GJYE3328ZD MAZDA

GJYE3328ZF MAZDA

GJYE3329ZA MAZDA

GJYE3329ZB MAZDA

GJYE3329ZC MAZDA

GJYE3329ZD MAZDA

GJYE3329ZE MAZDA

GJYF3323ZA MAZDA

GJYF3323ZB MAZDA

GJYF3323ZC MAZDA

GJYF3323ZD MAZDA

GJYF3323ZE MAZDA

GJYF3328ZA MAZDA

GJYF3328ZB MAZDA

GJYF3328ZC MAZDA

GJYF3328ZE MAZDA

GJYG3323Z MAZDA

GJYG3323ZA MAZDA

GJYG3323ZB MAZDA

GJYG3328Z MAZDA

GJYG3328Z9C MAZDA

GPYS3323ZA MAZDA