



BRAKE PAD XTRA

P 50 094X

The P 50 094X Xtra brake pad is synonymous with reliability

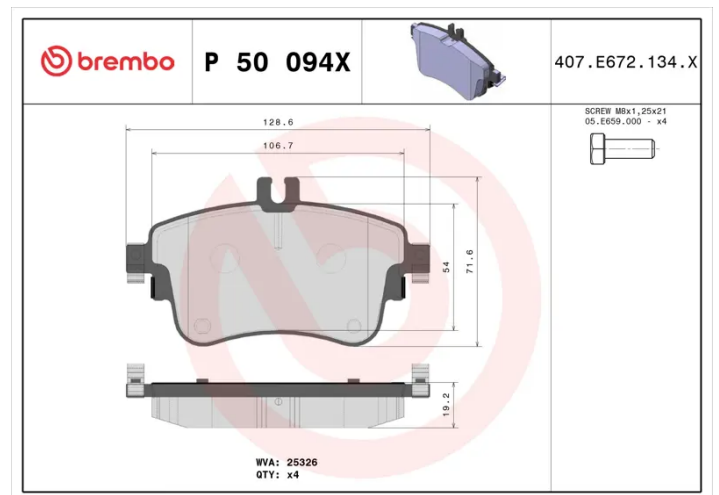
Brembo Xtra brake pads, developed to enhance the advantages of the Xtra and Max discs, are made using the special BRM X L01 compound which consists of more than 30 different components. Compared with the compound used for original-equivalent pads, the new solution assures a higher friction coefficient, which translates to more precise and stable braking, at both high and low temperatures. All this makes for greater driving comfort and improved pedal modularity, without compromising the product's mileage output.

- ✓ OE-equivalent
- ✓ Brembo quality
- ✓ ECE-R90 certificate
- ✓ Safety
- ✓ Performance
- ✓ Sports driving
- ✓ With accessories



Technical specifications

EAN code 8020584069004	Axle Front	Thickness 19 mm
Width 129 mm	Height 71 mm	Braking system TRW
Wear indicator Prepared for wear indicator	WVA number 25326	Accessories With accessories With anti-squeal shim With brake caliper bolts



COMPATIBLE VEHICLES

COMPATIBLE OE PART NUMBERS

0004201405	MERCEDES-BENZ
------------	---------------

0004202902	MERCEDES-BENZ
------------	---------------

0064204820	MERCEDES-BENZ
------------	---------------

0084200420	MERCEDES-BENZ
------------	---------------

A0004201405	MERCEDES-BENZ
-------------	---------------

A0004202902	MERCEDES-BENZ
-------------	---------------

A0064204820	MERCEDES-BENZ
-------------	---------------

A0084200420	MERCEDES-BENZ
-------------	---------------