



BRAKE PAD

P 61 142

The P 61 142 brake pad is synonymous with reliability

The Brembo brake pad guarantees ultimate safety when braking thanks to the use of more than 100 different compounds, designed according to the type of vehicle and use. Stopping distances reduced to a minimum, maximum driving comfort and silent operation are the most important features of Brembo materials. Brembo brake pads are supplied together with an extensive range of accessories and assembly kits for professional-standard installation.



- ✓ OE-equivalent
- ✓ Brembo quality
- ✓ ECE-R90 certificate
- ✓ Safety
- ✓ Performance
- ✓ Comfort
- ✓ With accessories

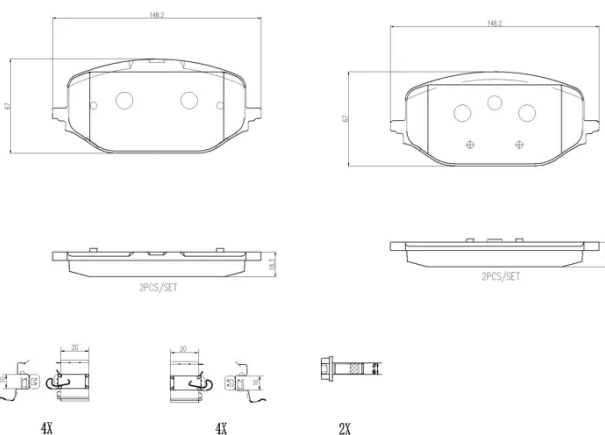
Technical specifications

EAN code **8020584125755** Axle **Front** Thickness **18 mm**

Width **148 mm** Height **67 mm**

Wear indicator **Without** WVA number **26588,26619**

Accessories
With accessories
With anti-squeal shim
With brake caliper bolts
With piston clip



COMPATIBLE VEHICLES

COMPATIBLE OE PART NUMBERS

155255431 FIAT

1647880280 PEUGEOT

SU001B4150 TOYOTA
