



BRAKE PAD

P 68 065

The P 68 065 brake pad is synonymous with reliability

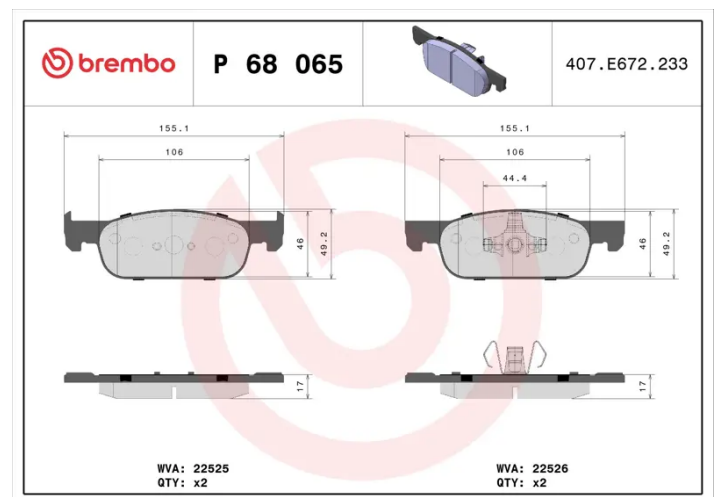
The Brembo brake pad guarantees ultimate safety when braking thanks to the use of more than 100 different compounds, designed according to the type of vehicle and use. Stopping distances reduced to a minimum, maximum driving comfort and silent operation are the most important features of Brembo materials. Brembo brake pads are supplied together with an extensive range of accessories and assembly kits for professional-standard installation.

- ✓ OE-equivalent
- ✓ Brembo quality
- ✓ ECE-R90 certificate
- ✓ Safety
- ✓ Performance
- ✓ Comfort
- ✓ With accessories



Technical specifications

EAN code 8020584084199	Axle Front	Thickness 17 mm
Width 155 mm	Height 49 mm	Braking system Teves
Wear indicator Without	WVA number 22526,22525	Accessories With accessories With anti-squeal shim With piston clip



COMPATIBLE VEHICLES

COMPATIBLE OE PART NUMBERS

410605536R	DACIA
------------	-------

8660005291	DACIA
------------	-------

410604682R	RENAULT
------------	---------

410605536R	RENAULT
------------	---------
