



BRAKE PAD

P 85 058

The P 85 058 brake pad is synonymous with reliability

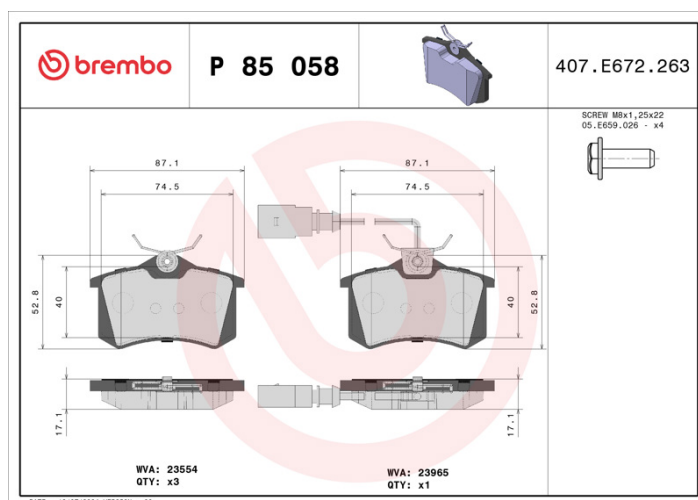
The Brembo brake pad guarantees ultimate safety when braking thanks to the use of more than 100 different compounds, designed according to the type of vehicle and use. Stopping distances reduced to a minimum, maximum driving comfort and silent operation are the most important features of Brembo materials. Brembo brake pads are supplied together with an extensive range of accessories and assembly kits for professional-standard installation.

- ✓ OE-equivalent
- ✓ Brembo quality
- ✓ ECE-R90 certificate
- ✓ Safety
- ✓ Performance
- ✓ Comfort



Technical specifications

| | | |
|-----------------------------------|--|--|
| EAN code 8020584058619 | Axle Rear | Thickness 17 mm |
| Width 87 mm | Height 53 mm | Braking system Lucas |
| Wear indicator Electric | WVA number 20961,23554,23965 | Accessories With brake caliper bolts |



COMPATIBLE VEHICLES

COMPATIBLE OE PART NUMBERS

7M3698451 AUDI

7M3698451B AUDI

7M3698451C AUDI

7M3698451E AUDI

1133447 FORD

1207519 FORD

1343513 FORD

1345337 FORD

5M212M008AA FORD

5M2J2M008AA FORD

YM212M008AA FORD

YM212M008DA FORD

YM2J2M008AA FORD

YM2J2M008BA FORD

7M3698451 SEAT

7M3698451B SEAT

7M3698451C SEAT

7M3698451E SEAT

7M3698451 SKODA

7M3698451B SKODA

7M3698451C SKODA

7M3698451E SKODA

7M3698451 VW

7M3698451B VW

7M3698451C VW

7M3698451E VW
