



## SP BRAKE PAD 07BB02SP

The 07BB02SP brake pad is synonymous with reliability

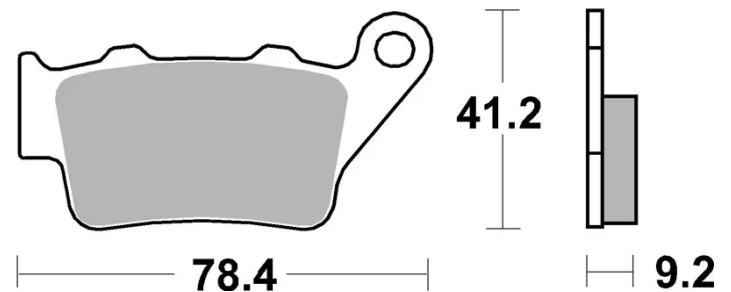
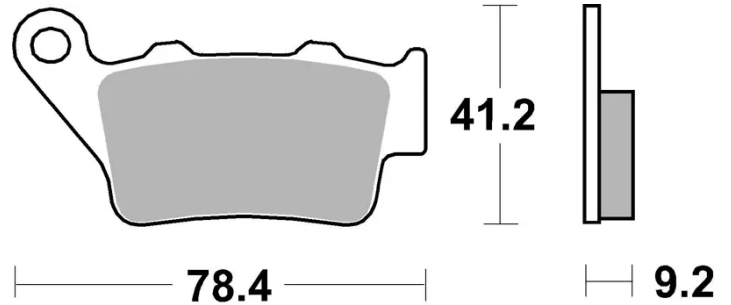
Sintered compound, for rear application and stable in all conditions of use.

- ✓ OE-equivalent
- ✓ Brembo quality
- ✓ ECE-R90 certificate
- ✓ Safety
- ✓ Comfort



### Technical specifications

Width mm	Height <b>41,2 mm</b>	Thickness <b>9,2 mm</b>
Compound <b>Sinter</b>	Units per box <b>2</b>	



COMPATIBLE VEHICLES