



BRAKE PAD PRIME CERAMIC P28035N

The P28035N NAO brake pad is synonymous with reliability

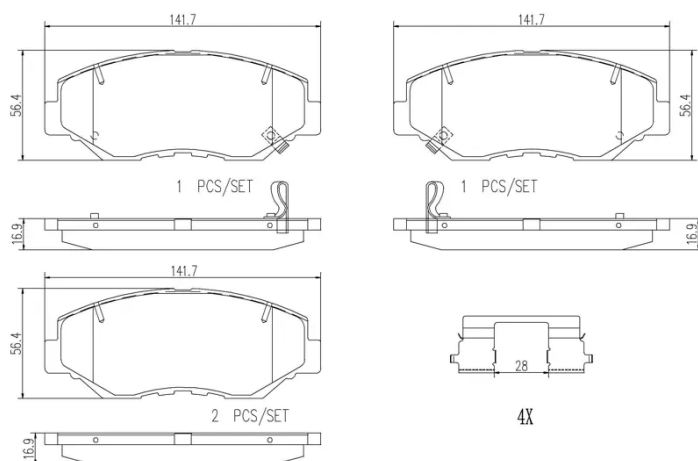
Brembo NAO brake pads stand out for their ultimate braking comfort, reduced friction wear and low dust mission, which makes for cleaner rims and reduced maintenance requirements. The advanced friction material in keeping with the strictest environmental standards is the main distinguishing feature of NAO compounds.

- ✓ OE-equivalent
- ✓ Brembo quality
- ✓ Safety
- ✓ Comfort
- ✓ Durability
- ✓ Dust reduction
- ✓ With accessories



Technical specifications

EAN code 8020584097694	Axle Front	Thickness 17 mm
Width 142 mm	Height 57 mm	Braking system Akebono
Wear indicator Acoustic	WVA number 23869,23870,23868	Accessories With anti-squeal shim



COMPATIBLE VEHICLES

COMPATIBLE OE PART NUMBERS

45022T2FA00 ACURA

45022T2FA01 ACURA

45022T2FA02 ACURA

45022TR7A02 ACURA

45022TX6A00 ACURA

45022TX6A01 ACURA

06450S9AA00 HONDA

06450S9AA01 HONDA

06450S9AE50 HONDA

06450S9AE51 HONDA

06450SCVA02 HONDA

06450SCVA03 HONDA

45022S9AA01 HONDA

45022S9A405 HONDA

45022S9AA00 HONDA

45022S9AA01 HONDA

45022S9AA02 HONDA

45022S9AE00 HONDA

45022S9AE01 HONDA

45022S9AE50 HONDA

45022S9AE60 HONDA

45022S9AH51 HONDA

45022S9VA00 HONDA

45022S9VA01 HONDA

45022S9VA02 HONDA

45022SCVA00 HONDA

45022SCVA01 HONDA

45022SDA305 HONDA

45022SDA315 HONDA

45022SDAA00 HONDA

45022SDAA10 HONDA

45022SDAA51 HONDA

45022SDCA00 HONDA

45022SDCA10 HONDA

45022SDRA00 HONDA

45022T2FA00 HONDA

45022T2FA02 HONDA

45022TA0A50 HONDA

45022TA5A00 HONDA

45022TA5X00 HONDA

45022TA5X01 HONDA

45022TBAA00 HONDA

45022TEAT00 HONDA

45022TR7A01 HONDA

45022TX9A00 HONDA

45022TX9A01

HONDA

H4502S9A901

HONDA
