



BRAKE DISC PAINTED

08.5085.11

The **08.5085.11** painted brake disc is synonymous with reliability

The Brembo brake disc with special UV paint treatment guarantees superior corrosion resistance for the product, thanks to the protective coating on the outer edges and on the disc hub. The UV paint not only gives the disc a clean, shiny appearance but is also beneficial for the environment as the water-based UV paint treatment does not require the use of chemical solvents and is a low energy consumption process.

- ✓ OE-equivalent
- ✓ Brembo quality
- ✓ ECE-R90 certificate
- ✓ Safety
- ✓ Anti-corrosion
- ✓ Fastening screws



Technical specifications



EAN code
8020584210451

Axle
Front and rear

Diameter Ø
240 mm

Thickness (TH)
11 mm

Height (A)
40 mm

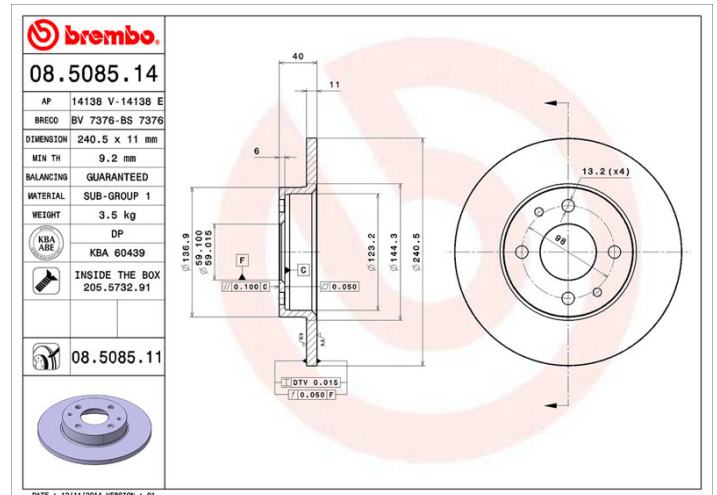
Number of holes (C)
4

Brake disc type
Solid

Centering (B)
59 mm

Min. thickness
9,2 mm

Tightening torque
98 Nm



COMPATIBLE VEHICLES

COMPATIBLE OE PART NUMBERS

46403960 ABARTH

51876438 ABARTH

7163465 ABARTH

71738421 ABARTH

71769481 ABARTH

7566931 ABARTH

7645054 ABARTH

7663465 ABARTH

7685656 ABARTH

60805117 ALFA ROMEO

60811879 ALFA ROMEO

71738421 ALFA ROMEO

71769481 ALFA ROMEO

71772238 ALFA ROMEO

7645054 ALFA ROMEO

7663465 ALFA ROMEO

46403960 FIAT

5154238AA FIAT

51859078 FIAT

51866264 FIAT

51876437 FIAT

51876438 FIAT

6001073192 FIAT

7163465 FIAT

71738421 FIAT

71769481 FIAT

71770933 FIAT

71772238 FIAT

7566931 FIAT

7645054 FIAT

7663465 FIAT

7685656 FIAT

1541802 FORD

1541804 FORD

1715410 FORD

95511125AA FORD

95511125CA FORD

85511125AA FORD

71738421 LANCIA

7663465 LANCIA

7566931 ZASTAVA

7663465 ZASTAVA