



BRAKE DISC

08.5359.14

The **08.5359.14** brake disc is synonymous with reliability

The Brembo brake disc is fully interchangeable with an Original Equipment brake disc. The control of the entire production cycle allows Brembo to offer brake discs with outstanding performance levels, reliability, durability and comfort in all conditions of use. All Brembo brake discs are accompanied by the ECE-R90 homologation.

- ✓ OE-equivalent
- ✓ Brembo quality
- ✓ ECE-R90 certificate
- ✓ Safety
- ✓ Fastening screws



Technical specifications



EAN code
8020584012383

Axle
Front

Diameter \varnothing
286 mm

Thickness (TH)
12 mm

Height (A)
52 mm

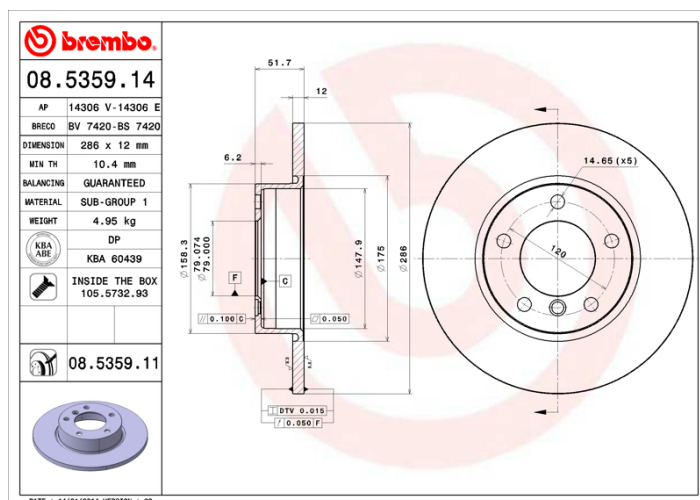
Number of holes (C)
5

Brake disc type
Solid

Centering (B)
79 mm

Min. thickness
10,4 mm

Tightening torque
120 Nm



COMPATIBLE OE PART NUMBERS

34111160673 BMW

34111160979 BMW

34111164201 BMW

34111164433 BMW

34116757750 BMW

34116757751 BMW
