



BRAKE DISC PAINTED

08.A029.21

The 08.A029.21 painted brake disc is synonymous with reliability

The Brembo brake disc with special UV paint treatment guarantees superior corrosion resistance for the product, thanks to the protective coating on the outer edges and on the disc hub. The UV paint not only gives the disc a clean, shiny appearance but is also beneficial for the environment as the water-based UV paint treatment does not require the use of chemical solvents and is a low energy consumption process.

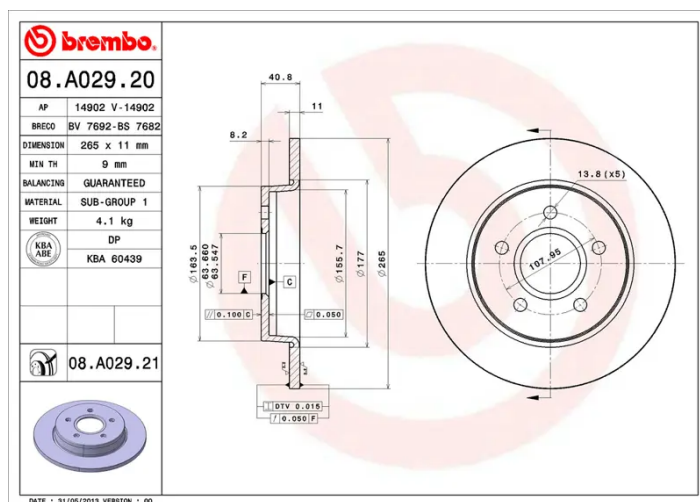
- ✓ OE-equivalent
- ✓ Brembo quality
- ✓ ECE-R90 certificate
- ✓ Safety
- ✓ Anti-corrosion



Technical specifications



EAN code 8020584017418	Axle Rear	Diameter Ø 265 mm
Thickness (TH) 11 mm	Height (A) 41 mm	Number of holes (C) 5
Brake disc type Solid	Centering (B) 64 mm	Min. thickness 9 mm
Tightening torque 100 Nm		



COMPATIBLE VEHICLES

COMPATIBLE OE PART NUMBERS

1223540	FORD
1223543	FORD
1253727	FORD
1253728	FORD
1320347	FORD
1373360	FORD
1468946	FORD
1501061	FORD
1501068	FORD
1575733	FORD
1748745	FORD
3M512A315A1E	FORD
3M512A315AB	FORD
3M512A315AC	FORD
3M512A315AD	FORD
3M512A315AE	FORD
3M512A315CA	FORD
5M512A315BC	FORD
7M512A315FA	FORD
9M512A315BA	FORD
9M512A315BB	FORD
1364216	FORD (CHANGAN)
1771568	FORD (CHANGAN)
6M512A315AA	FORD (CHANGAN)
6M512A315AB	FORD (CHANGAN)
5M512A315BC	FORD ASIA & OCEANIA
6M512A315AA	MAZDA (CHANGAN)