



# BRAKE DISC PAINTED

## 08.A114.11

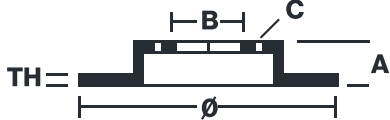
The 08.A114.11 painted brake disc is synonymous with reliability

The Brembo brake disc with special UV paint treatment guarantees superior corrosion resistance for the product, thanks to the protective coating on the outer edges and on the disc hub. The UV paint not only gives the disc a clean, shiny appearance but is also beneficial for the environment as the water-based UV paint treatment does not require the use of chemical solvents and is a low energy consumption process.

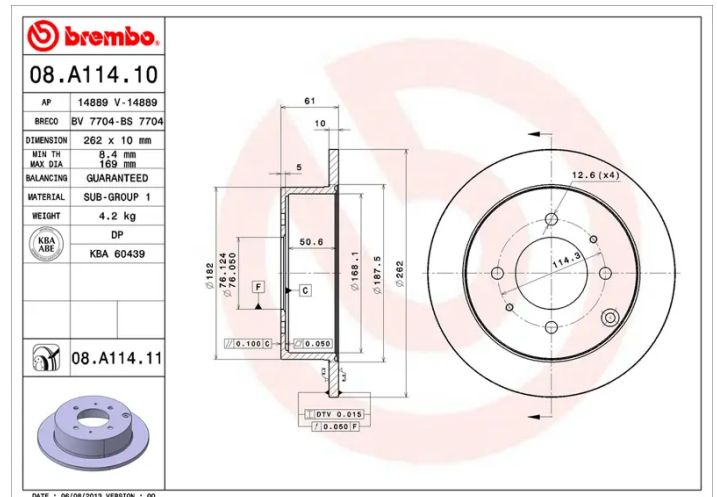
- ✓ OE-equivalent
- ✓ Brembo quality
- ✓ ECE-R90 certificate
- ✓ Safety
- ✓ Anti-corrosion



### Technical specifications



EAN code <b>8020584032626</b>	Axle <b>Rear</b>	Diameter Ø <b>262 mm</b>
Thickness (TH) <b>10 mm</b>	Height (A) <b>61 mm</b>	Number of holes (C) <b>4</b>
Brake disc type <b>Solid</b>	Centering (B) <b>76 mm</b>	Min. thickness <b>8,4 mm</b>
Tightening torque <b>100 Nm</b>		



**COMPATIBLE VEHICLES**

## COMPATIBLE OE PART NUMBERS

5841138300	HYUNDAI
5841138310	HYUNDAI
584113C000	HYUNDAI
5841138310	HYUNDAI (BEIJING)
5841138300	KIA
5841138310	KIA
584113C000	KIA
5841138310	KIA (DYK)