



BRAKE DISC PAINTED

08.A273.11

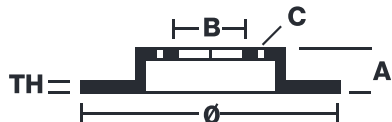
The 08.A273.11 painted brake disc is synonymous with reliability

The Brembo brake disc with special UV paint treatment guarantees superior corrosion resistance for the product, thanks to the protective coating on the outer edges and on the disc hub. The UV paint not only gives the disc a clean, shiny appearance but is also beneficial for the environment as the water-based UV paint treatment does not require the use of chemical solvents and is a low energy consumption process.

- ✓ OE-equivalent
- ✓ Brembo quality
- ✓ ECE-R90 certificate
- ✓ Safety
- ✓ Anti-corrosion

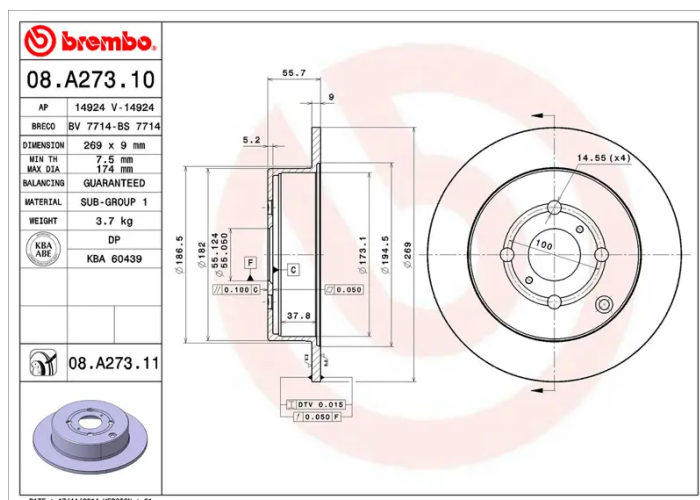


Technical specifications



EAN code 8020584216446	Axle Rear	Diameter Ø 269 mm
Thickness (TH) 9 mm	Height (A) 56 mm	Number of holes (C) 4
Brake disc type Solid	Centering (B) 55 mm	Min. thickness 7,5 mm

Tightening torque
103 Nm



COMPATIBLE VEHICLES

COMPATIBLE OE PART NUMBERS

B123502070	FENGXING
B3502111	LIFAN
4243102050	TOYOTA
424310D050	TOYOTA
424310E070	TOYOTA
4243112210	TOYOTA
4243112250	TOYOTA
4243147020	TOYOTA
4243152050	TOYOTA
4243152060	TOYOTA
4243112250	TOYOTA (FAW)