



# BRAKE DISC PAINTED

## 08.A537.11

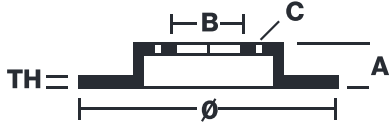
The 08.A537.11 painted brake disc is synonymous with reliability

The Brembo brake disc with special UV paint treatment guarantees superior corrosion resistance for the product, thanks to the protective coating on the outer edges and on the disc hub. The UV paint not only gives the disc a clean, shiny appearance but is also beneficial for the environment as the water-based UV paint treatment does not require the use of chemical solvents and is a low energy consumption process.

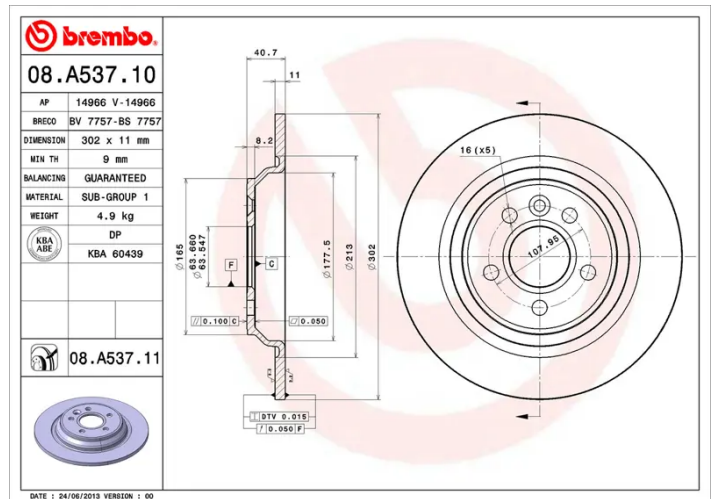
- ✓ OE-equivalent
- ✓ Brembo quality
- ✓ ECE-R90 certificate
- ✓ Safety
- ✓ Anti-corrosion



### Technical specifications



EAN code <b>8020584019429</b>	Axle <b>Rear</b>	Diameter Ø <b>302 mm</b>
Thickness (TH) <b>11 mm</b>	Height (A) <b>41 mm</b>	Number of holes (C) <b>5</b>
Brake disc type <b>Solid</b>	Centering (B) <b>64 mm</b>	Min. thickness <b>9 mm</b>
Tightening torque <b>140 Nm</b>		



**COMPATIBLE VEHICLES**

## COMPATIBLE OE PART NUMBERS

30769059	VOLVO
307690590	VOLVO
31471746	VOLVO
314717460	VOLVO
31358884	VOLVO (CHANGAN)
31358884	VOLVO ASIA
31471746	VOLVO ASIA