



BRAKE DISC

08.B413.10

The **08.B413.10** brake disc is synonymous with reliability

The Brembo brake disc is fully interchangeable with an Original Equipment brake disc. The control of the entire production cycle allows Brembo to offer brake discs with outstanding performance levels, reliability, durability and comfort in all conditions of use. All Brembo brake discs are accompanied by the ECE-R90 homologation.

- ✓ OE-equivalent
- ✓ Brembo quality
- ✓ ECE-R90 certificate
- ✓ Safety
- ✓ Fastening screws



Technical specifications



EAN code
8020584030417

Axle
Rear

Diameter \varnothing
272 mm

Thickness (TH)
10 mm

Height (A)
48 mm

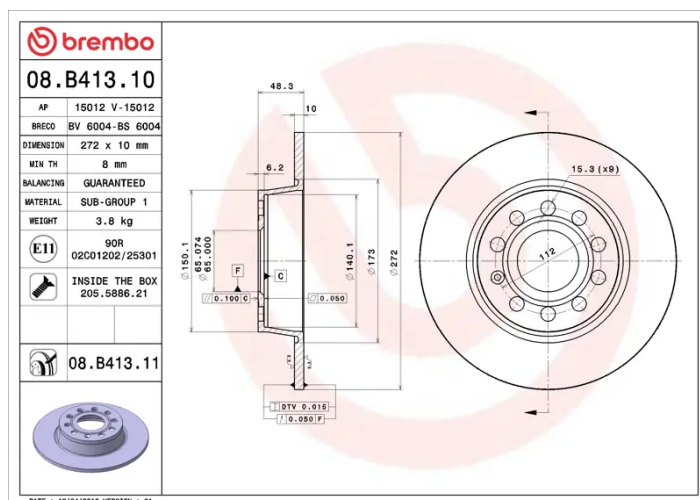
Number of holes (C)
5

Brake disc type
Solid

Centering (B)
65 mm

Min. thickness
8 mm

Tightening torque
120 Nm



COMPATIBLE VEHICLES

COMPATIBLE OE PART NUMBERS

1K0615601AA	AUDI
5Q0615601D	AUDI
5Q0615601D	AUDI (FAW)
L5QD615601A	AUDI (FAW)
5Q0615601D	CUPRA
L5QD615601A	JETTA
1K0615601AA	SEAT
5Q0615601D	SEAT
1K0615601AA	SKODA
5Q0615601D	SKODA
1K0615601AA	VW
561615601	VW
561615601A	VW
5Q0615601D	VW
5QM615601C	VW
1K0615601AA	VW (FAW)
5Q0615601D	VW (FAW)
L5QD615601A	VW (FAW)