



BRAKE DISC XTRA

08.C247.1X

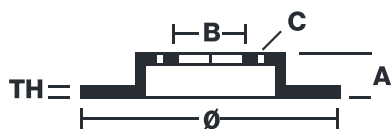
The 08.C247.1X Xtra brake disc is synonymous with reliability

The Brembo Xtra brake disc features holes on the braking surface. The holes are designed to improve the cooling of the braking system, to generate greater fading resistance and grip in the initial stages of braking. The sports look is also enhanced by the presence of the UV paint.

- ✓ Brembo quality
- ✓ ECE-R90 certificate
- ✓ Performance
- ✓ Sports driving
- ✓ Sporty look
- ✓ Anti-corrosion



Technical specifications



EAN code
8020584322772

Axle
Rear

Diameter Ø
302 mm

Thickness (TH)
10 mm

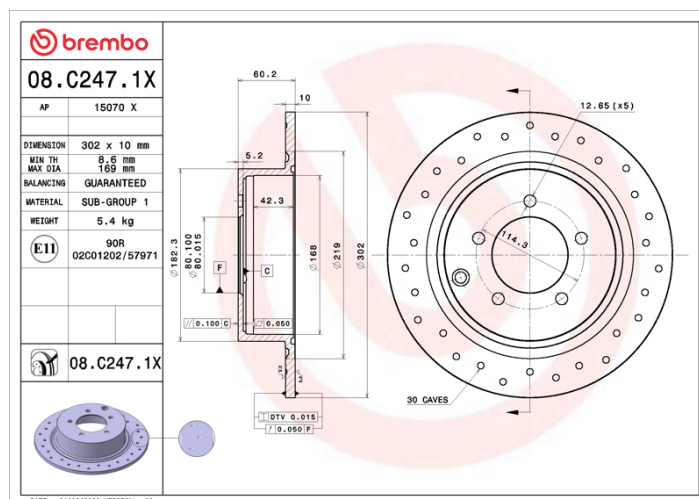
Height (A)
60,2 mm

Number of holes (C)
5

Brake disc type
Solid

Centering (B)
80,1 mm

Min. thickness
8,6 mm



COMPATIBLE VEHICLES

COMPATIBLE OE PART NUMBERS

2AMV3999AA CHRYSLER

1606292080 CITROËN

1611667880 CITROËN

04743999AB JEEP

2AMV3999AA JEEP

K04743999AA LANCIA

4615A010 MITSUBISHI

4615A121 MITSUBISHI

4615A193 MITSUBISHI

4615A121 MITSUBISHI (GAC)

4615A193 MITSUBISHI (GAC)

1606292080 PEUGEOT

1611667880 PEUGEOT
