



# BRAKE DISC PAINTED

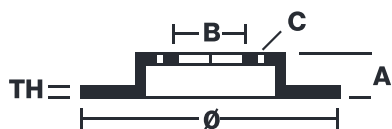
## 08.D698.11

The 08.D698.11 painted brake disc is synonymous with reliability

The Brembo brake disc with special UV paint treatment guarantees superior corrosion resistance for the product, thanks to the protective coating on the outer edges and on the disc hub. The UV paint not only gives the disc a clean, shiny appearance but is also beneficial for the environment as the water-based UV paint treatment does not require the use of chemical solvents and is a low energy consumption process.

- ✓ OE-equivalent
- ✓ Brembo quality
- ✓ ECE-R90 certificate
- ✓ Safety
- ✓ Anti-corrosion
- ✓ Fastening screws

### Technical specifications



EAN code  
**8020584237083**

Axle  
**Rear**

Diameter Ø  
**260 mm**

Thickness (TH)  
**9 mm**


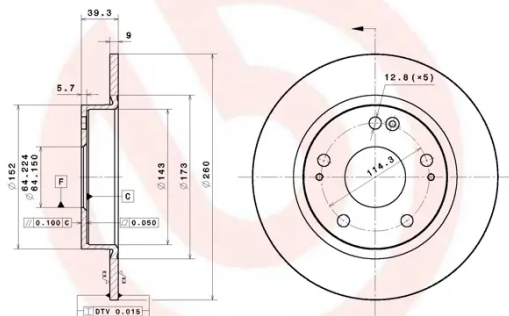


Height (A)  
**39 mm**

Number of holes (C)  
**5**

Brake disc type  
**Solid**

Centering (B)  
**64 mm**

Min. thickness  
**8 mm**

		<b>08.D698.11</b>	
AP	10020 V		
BRECO	BV 6186		
DIMENSION	260 x 9 mm		
MIN TH	8 mm		
BALANCING	GUARANTEED		
MATERIAL	SUB-GROUP 1		
WEIGHT	3.2 kg		
E11	90R 02C01202/25297		
	INSIDE THE BOX 205.5886.21		
	<b>08.D698.11</b>		

DATE : 16/04/2019 VERSION : 00

COMPATIBLE VEHICLES

## COMPATIBLE OE PART NUMBERS

42510TBAA00

HONDA

---

42510TEAT01

HONDA

---

42510TETH00

HONDA (DONGFENG)

---

42510TETH00

HONDA (GAC)

---