



BRAKE DISC MAX

09.4765.75

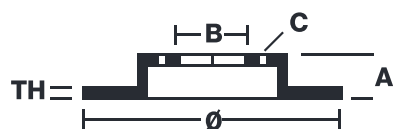
The 09.4765.75 Max brake disc is synonymous with reliability

The Brembo Max brake disc features grooves on the braking surface. The special shape of the grooves generates greater fading resistance and constant renewal of friction material, quickly restoring optimum braking conditions. The UV paint completes the sporty look.

- ✓ Brembo quality
- ✓ ECE-R90 certificate
- ✓ Performance
- ✓ Sports driving
- ✓ Sporty look
- ✓ Anti-corrosion
- ✓ Fastening screws



Technical specifications



EAN code
8020584011287

Axle
Front

Diameter Ø
239 mm

Thickness (TH)
20 mm

Height (A)
39 mm

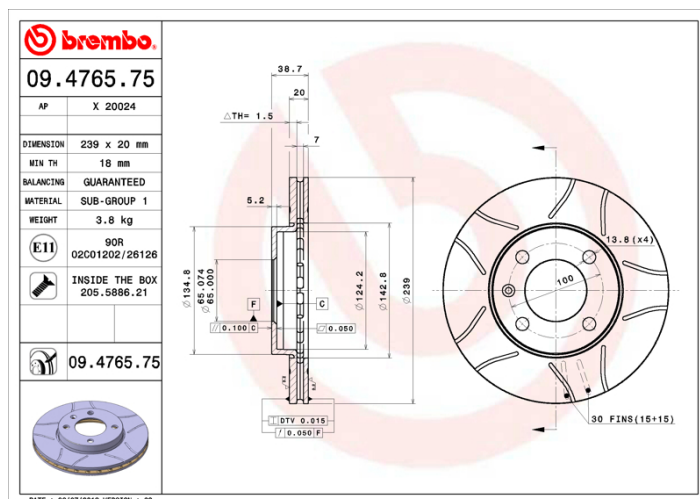
Number of holes (C)
4

Brake disc type
Ventilated

Centering (B)
65 mm

Min. thickness
18 mm

Tightening torque
120 Nm



COMPATIBLE VEHICLES

COMPATIBLE OE PART NUMBERS

321615301A AUDI

321615301B AUDI

321615301C AUDI

6N0615301G AUDI

841615301 AUDI

321615301C SEAT

6N0615301G SEAT

321615301A VW

321615301B VW

321615301C VW

3256152891 VW

5W0615301 VW

6N0615301G VW

841615301 VW

JZW615301K VW

3256152891 VW (SVW)

5W0615301 VW (SVW)
