



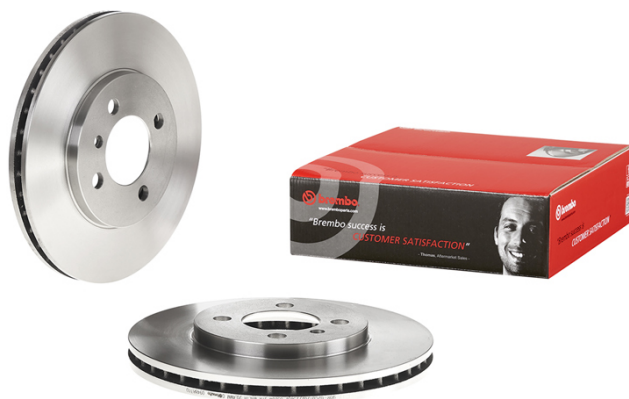
BRAKE DISC

09.4883.10

The **09.4883.10** brake disc is synonymous with reliability

The Brembo brake disc is fully interchangeable with an Original Equipment brake disc. The control of the entire production cycle allows Brembo to offer brake discs with outstanding performance levels, reliability, durability and comfort in all conditions of use. All Brembo brake discs are accompanied by the ECE-R90 homologation.

- ✓ OE-equivalent
- ✓ Brembo quality
- ✓ ECE-R90 certificate
- ✓ Safety
- ✓ Fastening screws



Technical specifications



EAN code
8020584488317

Axle
Front

Diameter Ø
260 mm

Thickness (TH)
22 mm

Height (A)
35 mm

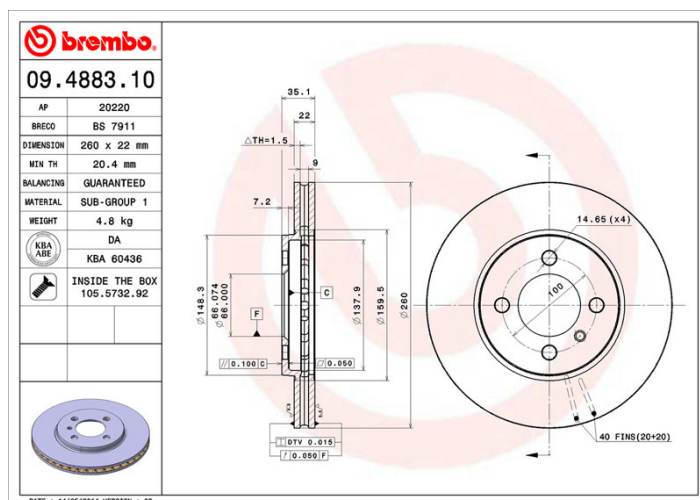
Number of holes (C)
4

Brake disc type
Ventilated

Centering (B)
66 mm

Min. thickness
20,4 mm

Tightening torque
120 Nm



COMPATIBLE VEHICLES

COMPATIBLE OE PART NUMBERS

34111154749 BMW

34111154750 BMW

34111160847 BMW

34111160915 BMW

34116752352 BMW
