



BRAKE DISC PAINTED

09.6997.11

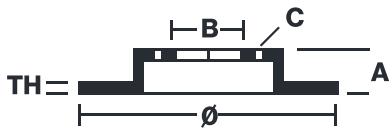
The 09.6997.11 painted brake disc is synonymous with reliability

The Brembo brake disc with special UV paint treatment guarantees superior corrosion resistance for the product, thanks to the protective coating on the outer edges and on the disc hub. The UV paint not only gives the disc a clean, shiny appearance but is also beneficial for the environment as the water-based UV paint treatment does not require the use of chemical solvents and is a low energy consumption process.

- ✓ OE-equivalent
- ✓ Brembo quality
- ✓ ECE-R90 certificate
- ✓ Safety
- ✓ High carbon
- ✓ Anti-corrosion



Technical specifications



EAN code **8020584023341**
 Axle **Front and rear**

Thickness (TH) **25 mm**
 Height (A) **42 mm**

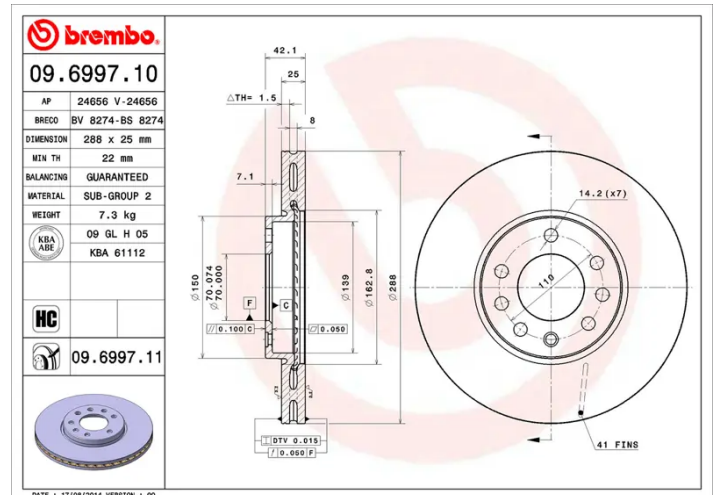
Brake disc type **Ventilated**
 Centering (B) **70 mm**

Diameter \varnothing **288 mm**

Number of holes (C) **5**

Min. thickness **22 mm**

Tightening torque **110 Nm**



COMPATIBLE VEHICLES

COMPATIBLE OE PART NUMBERS

5390786	BAIC
90496327	CHEVROLET
90512029	CHEVROLET
B117J0028F	LOTUS
32025723	OPEL
4801584	OPEL
4801628	OPEL
569009	OPEL
569056	OPEL
569357	OPEL
90512029	OPEL
93177674	OPEL
93179053	OPEL
93182284	OPEL
32025723	SAAB
4566840	SAAB
4837019	SAAB
4839007	SAAB
4839320	SAAB
5390786	SAAB
21019227	SATURN
21019788	SATURN
32025723	VAUXHALL
569056	VAUXHALL
90496327	VAUXHALL
90512029	VAUXHALL
93177674	VAUXHALL
93179053	VAUXHALL
93182284	VAUXHALL