



BRAKE DISC PAINTED

09.7932.11

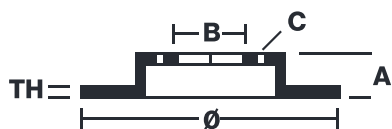
The 09.7932.11 painted brake disc is synonymous with reliability

The Brembo brake disc with special UV paint treatment guarantees superior corrosion resistance for the product, thanks to the protective coating on the outer edges and on the disc hub. The UV paint not only gives the disc a clean, shiny appearance but is also beneficial for the environment as the water-based UV paint treatment does not require the use of chemical solvents and is a low energy consumption process.

- ✓ OE-equivalent
- ✓ Brembo quality
- ✓ ECE-R90 certificate
- ✓ Safety
- ✓ Anti-corrosion
- ✓ Fastening screws

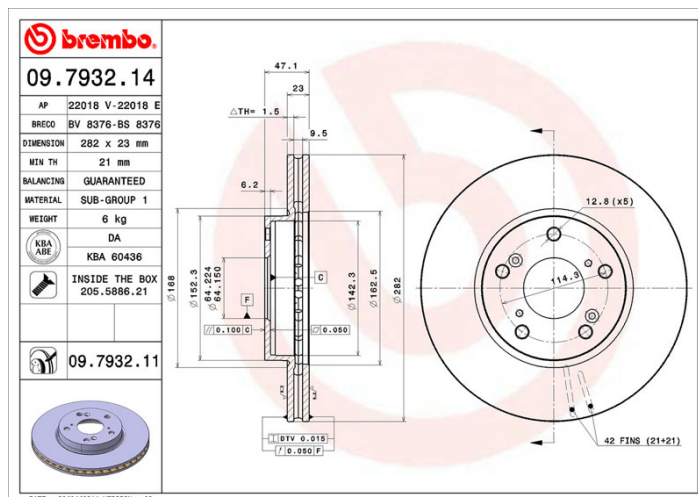


Technical specifications



EAN code 8020584031186	Axle Front	Diameter Ø 282 mm
Thickness (TH) 23 mm	Height (A) 47 mm	Number of holes (C) 5
Brake disc type Ventilated	Centering (B) 64 mm	Min. thickness 21 mm

Tightening torque
108 Nm



COMPATIBLE VEHICLES

COMPATIBLE OE PART NUMBERS

45251TA5A00	ACURA
45251S87A00	HONDA
45251SDCA00	HONDA
45251T2FA00	HONDA
45251T2FA01	HONDA
45251TA0A00	HONDA
45251TA0A01	HONDA
45251TA0A02	HONDA
45251TA5A00	HONDA
45251TETH00	HONDA (DONGFENG)
45251S87A00	HONDA (GAC)
45251TETH00	HONDA (GAC)