



BRAKE DISC

09.7939.10

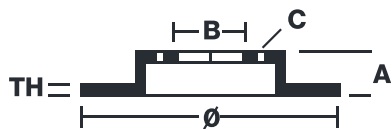
The **09.7939.10** brake disc is synonymous with reliability

The Brembo brake disc is fully interchangeable with an Original Equipment brake disc. The control of the entire production cycle allows Brembo to offer brake discs with outstanding performance levels, reliability, durability and comfort in all conditions of use. All Brembo brake discs are accompanied by the ECE-R90 homologation.

- ✓ OE-equivalent
- ✓ Brembo quality
- ✓ ECE-R90 certificate
- ✓ Safety



Technical specifications



EAN code
8020584793916

Axle
Front

Diameter Ø
276 mm

Thickness (TH)
24 mm

Height (A)
45 mm

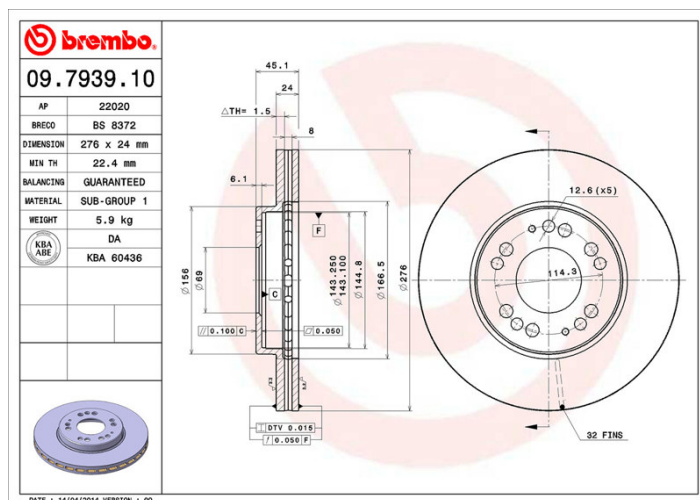
Number of holes (C)
5

Brake disc type
Ventilated

Centering (B)
69 mm

Min. thickness
22,4 mm

Tightening torque
108 Nm



COMPATIBLE VEHICLES

COMPATIBLE OE PART NUMBERS

MB618344 DODGE

MB858799 DODGE

MB858799 EAGLE

MB668535 MITSUBISHI

MB858799 MITSUBISHI

MB895097 MITSUBISHI

MB928318 MITSUBISHI

MB928319 MITSUBISHI

MR449660 MITSUBISHI

MB858799 PLYMOUTH
