



BRAKE DISC PAINTED

09.9574.11

The 09.9574.11 painted brake disc is synonymous with reliability

The Brembo brake disc with special UV paint treatment guarantees superior corrosion resistance for the product, thanks to the protective coating on the outer edges and on the disc hub. The UV paint not only gives the disc a clean, shiny appearance but is also beneficial for the environment as the water-based UV paint treatment does not require the use of chemical solvents and is a low energy consumption process.

- ✓ OE-equivalent
- ✓ Brembo quality
- ✓ ECE-R90 certificate
- ✓ Safety
- ✓ Anti-corrosion

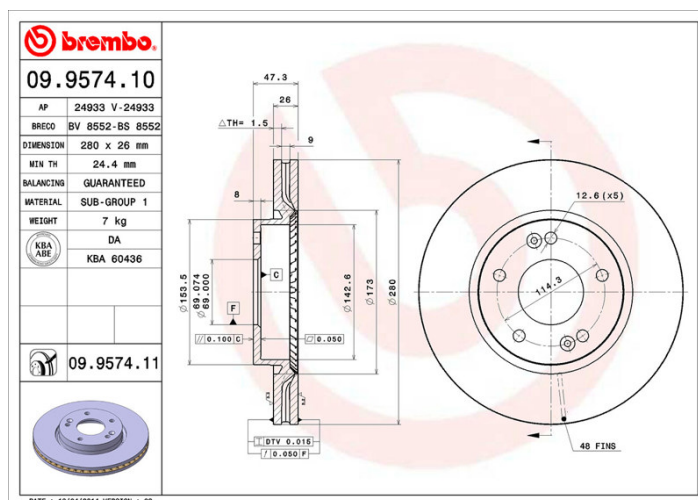


Technical specifications



EAN code 8020584032558	Axle Front	Diameter Ø 280 mm
Thickness (TH) 26 mm	Height (A) 47 mm	Number of holes (C) 5
Brake disc type Ventilated	Centering (B) 69 mm	Min. thickness 24,4 mm

Tightening torque
100 Nm



COMPATIBLE VEHICLES

COMPATIBLE OE PART NUMBERS

517120Q100	HYUNDAI
517121F000	HYUNDAI
517121F300	HYUNDAI
517122C000	HYUNDAI
517122E300	HYUNDAI
517123K050	HYUNDAI
5517121F000	HYUNDAI
5517121F000A	HYUNDAI
517120Q100	HYUNDAI (BEIJING)
517121F000	KIA
517121F300	KIA
517122C000	KIA
517122E300	KIA
517123K050	KIA
5517121F000	KIA
5517121F000A	KIA
517121F300	KIA (DYK)