



BRAKE DISC PAINTED

09.A110.11

The 09.A110.11 painted brake disc is synonymous with reliability

The Brembo brake disc with special UV paint treatment guarantees superior corrosion resistance for the product, thanks to the protective coating on the outer edges and on the disc hub. The UV paint not only gives the disc a clean, shiny appearance but is also beneficial for the environment as the water-based UV paint treatment does not require the use of chemical solvents and is a low energy consumption process.

- ✓ OE-equivalent
- ✓ Brembo quality
- ✓ ECE-R90 certificate
- ✓ Safety
- ✓ Anti-corrosion

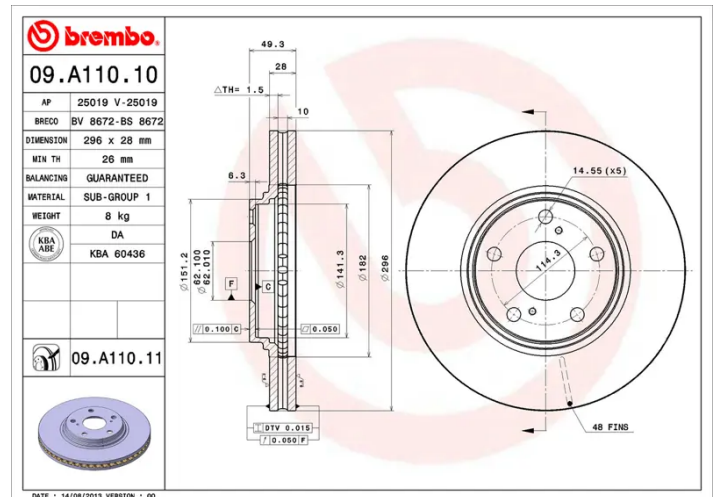


Technical specifications



EAN code 8020584034729	Axle Front	Diameter Ø 296 mm
Thickness (TH) 28 mm	Height (A) 49 mm	Number of holes (C) 5
Brake disc type Ventilated	Centering (B) 62 mm	Min. thickness 26 mm

Tightening torque
103 Nm



COMPATIBLE VEHICLES

COMPATIBLE OE PART NUMBERS

4351233100 LEXUS

4351248010 LEXUS

4351248011 LEXUS

4351248020 LEXUS

4351248030 LEXUS

4351248031 LEXUS

4351248050 LEXUS

4351248060 LEXUS

4351258010 LEXUS

4351258011 LEXUS

4351206130 TOYOTA

4351228180 TOYOTA

4351228181 TOYOTA

4351233100 TOYOTA

4351248010 TOYOTA

4351248011 TOYOTA

4351248030 TOYOTA

4351248031 TOYOTA

4351258010 TOYOTA

4351258011 TOYOTA
