



BRAKE DISC PAINTED

09.A148.11

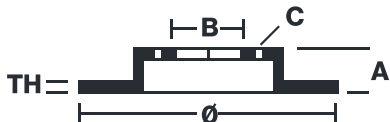
The 09.A148.11 painted brake disc is synonymous with reliability

The Brembo brake disc with special UV paint treatment guarantees superior corrosion resistance for the product, thanks to the protective coating on the outer edges and on the disc hub. The UV paint not only gives the disc a clean, shiny appearance but is also beneficial for the environment as the water-based UV paint treatment does not require the use of chemical solvents and is a low energy consumption process.

- ✓ OE-equivalent
- ✓ Brembo quality
- ✓ ECE-R90 certificate
- ✓ Safety
- ✓ Anti-corrosion

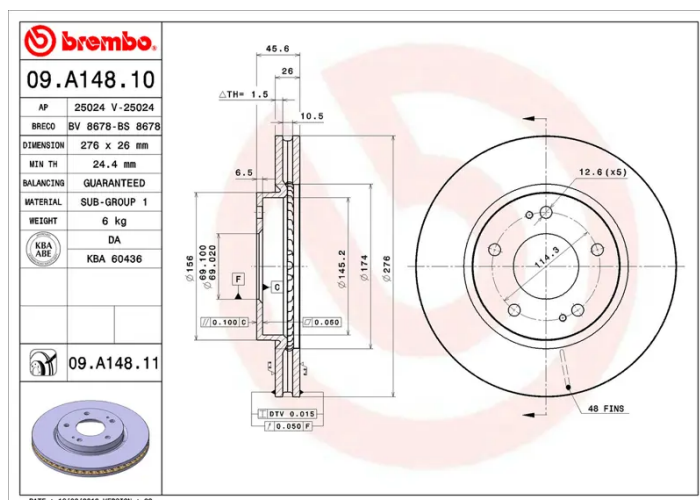


Technical specifications



EAN code 8020584031643	Axle Front	Diameter \varnothing 276 mm
Thickness (TH) 26 mm	Height (A) 46 mm	Number of holes (C) 5
Brake disc type Ventilated	Centering (B) 69 mm	Min. thickness 24,4 mm

Tightening torque
98 Nm



COMPATIBLE VEHICLES

COMPATIBLE OE PART NUMBERS

4615A054 MITSUBISHI

4615A069 MITSUBISHI

4615A089 MITSUBISHI

MR493550 MITSUBISHI

MR493551 MITSUBISHI

MR510965 MITSUBISHI

MR510966 MITSUBISHI

MR510967 MITSUBISHI
