



BRAKE DISC PAINTED

09.A386.11

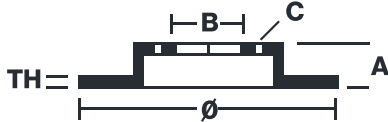
The 09.A386.11 painted brake disc is synonymous with reliability

The Brembo brake disc with special UV paint treatment guarantees superior corrosion resistance for the product, thanks to the protective coating on the outer edges and on the disc hub. The UV paint not only gives the disc a clean, shiny appearance but is also beneficial for the environment as the water-based UV paint treatment does not require the use of chemical solvents and is a low energy consumption process.

- ✓ OE-equivalent
- ✓ Brembo quality
- ✓ ECE-R90 certificate
- ✓ Safety
- ✓ Anti-corrosion

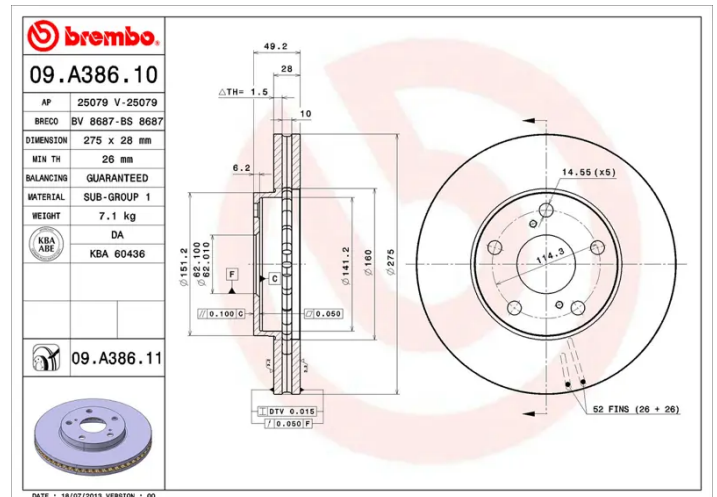


Technical specifications



EAN code 8020584031414	Axle Front	Diameter Ø 275 mm
Thickness (TH) 28 mm	Height (A) 49 mm	Number of holes (C) 5
Brake disc type Ventilated	Centering (B) 62 mm	Min. thickness 26 mm

Tightening torque
103 Nm



COMPATIBLE VEHICLES

COMPATIBLE OE PART NUMBERS

4351233040	LEXUS
------------	-------

4351233041	LEXUS
------------	-------

4351233042	LEXUS
------------	-------

4351233043	LEXUS
------------	-------

4351233060	LEXUS
------------	-------

4351206020	TOYOTA
------------	--------

4351206030	TOYOTA
------------	--------

4351206031	TOYOTA
------------	--------

4351206040	TOYOTA
------------	--------

4351207020	TOYOTA
------------	--------

4351208020	TOYOTA
------------	--------

4351208021	TOYOTA
------------	--------

4351233040	TOYOTA
------------	--------

4351233041	TOYOTA
------------	--------

4351233042	TOYOTA
------------	--------

4351233043	TOYOTA
------------	--------

4351233060	TOYOTA
------------	--------

4351233070	TOYOTA
------------	--------

4351233080	TOYOTA
------------	--------

4351233090	TOYOTA
------------	--------

4351244010	TOYOTA
------------	--------

4351244011	TOYOTA
------------	--------

4351244020	TOYOTA
------------	--------

4351244021	TOYOTA
------------	--------
