



# BRAKE DISC PAINTED

## 09.A455.11

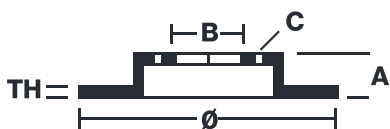
The 09.A455.11 painted brake disc is synonymous with reliability

The Brembo brake disc with special UV paint treatment guarantees superior corrosion resistance for the product, thanks to the protective coating on the outer edges and on the disc hub. The UV paint not only gives the disc a clean, shiny appearance but is also beneficial for the environment as the water-based UV paint treatment does not require the use of chemical solvents and is a low energy consumption process.

- ✓ OE-equivalent
- ✓ Brembo quality
- ✓ ECE-R90 certificate
- ✓ Safety
- ✓ Anti-corrosion
- ✓ Fastening screws

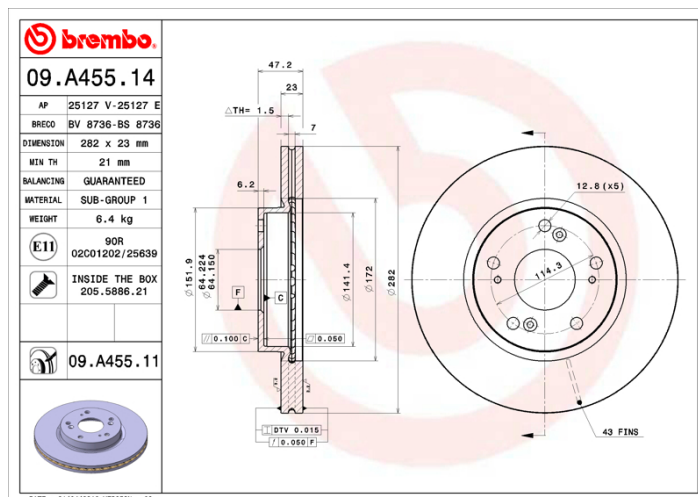


### Technical specifications



EAN code <b>8020584222188</b>	Axle <b>Front</b>	Diameter Ø <b>282 mm</b>
Thickness (TH) <b>23 mm</b>	Height (A) <b>47 mm</b>	Number of holes (C) <b>5</b>
Brake disc type <b>Ventilated</b>	Centering (B) <b>64 mm</b>	Min. thickness <b>21 mm</b>

Tightening torque  
**108 Nm**



**COMPATIBLE VEHICLES**

## COMPATIBLE OE PART NUMBERS

45251SNVH00	CIIMO
45251S7AE10	HONDA
45251S7AE11	HONDA
45251SMGE30	HONDA
45251SMGE31	HONDA
45251SMGG10	HONDA
45251SMGG11	HONDA
45251SNLT60	HONDA
45251TEAT00	HONDA
45251TR0E00	HONDA
45251SNVH00	HONDA (DONGFENG)
45251SNVH00	HONDA (GAC)