



BRAKE DISC XTRA

09.A532.2X

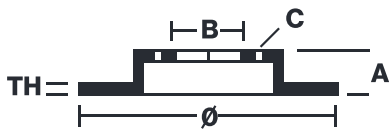
The 09.A532.2X Xtra brake disc is synonymous with reliability

The Brembo Xtra brake disc features holes on the braking surface. The holes are designed to improve the cooling of the braking system, to generate greater fading resistance and grip in the initial stages of braking. The sports look is also enhanced by the presence of the UV paint.

- ✓ Brembo quality
- ✓ ECE-R90 certificate
- ✓ Performance
- ✓ Sports driving
- ✓ Sporty look
- ✓ High carbon
- ✓ Anti-corrosion
- ✓ Fastening screws



Technical specifications



EAN code
8020584229163

Axle
Front

Diameter Ø
300 mm

Thickness (TH)
28 mm

Height (A)
47 mm

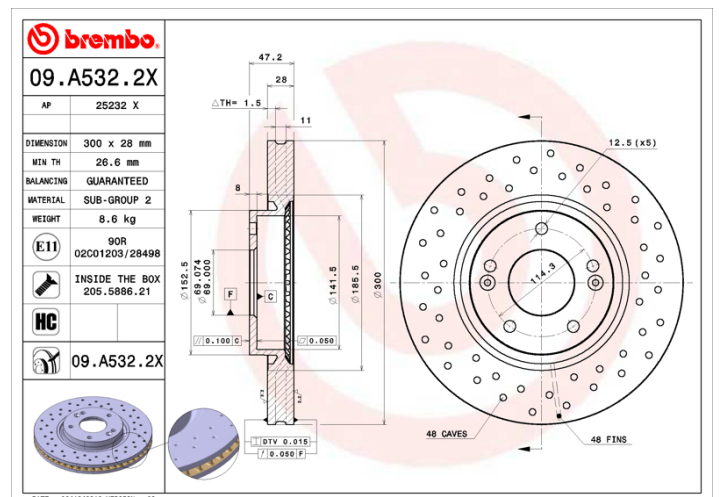
Number of holes (C)
5

Brake disc type
Ventilated

Centering (B)
69 mm

Min. thickness
26,6 mm

Tightening torque
100 Nm



COMPATIBLE VEHICLES

COMPATIBLE OE PART NUMBERS

517121M500	HYUNDAI
517122L500	HYUNDAI
517121M500	HYUNDAI (BEIJING)
517121M500	KIA
517122L500	KIA
5517122L500	KIA
517121M500	KIA (DYK)
517121M500	NAZA