



BRAKE DISC PAINTED

09.A613.51

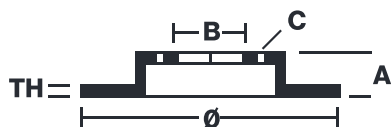
The 09.A613.51 painted brake disc is synonymous with reliability

The Brembo brake disc with special UV paint treatment guarantees superior corrosion resistance for the product, thanks to the protective coating on the outer edges and on the disc hub. The UV paint not only gives the disc a clean, shiny appearance but is also beneficial for the environment as the water-based UV paint treatment does not require the use of chemical solvents and is a low energy consumption process.

- ✓ OE-equivalent
- ✓ Brembo quality
- ✓ ECE-R90 certificate
- ✓ Safety
- ✓ High carbon
- ✓ Anti-corrosion
- ✓ Fastening screws



Technical specifications



EAN code
8020584037478

Axle
Front

Diameter Ø
295 mm

Thickness (TH)
28 mm

Height (A)
65 mm

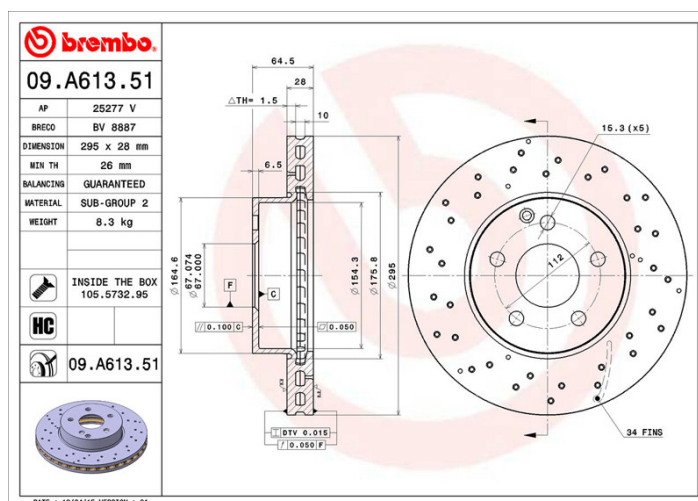
Number of holes (C)
5

Brake disc type
Ventilated

Centering (B)
67 mm

Min. thickness
26 mm

Tightening torque
130 Nm



COMPATIBLE OE PART NUMBERS

2044210912	MERCEDES-BENZ
2044212712	MERCEDES-BENZ
2044212812	MERCEDES-BENZ
2044213612	MERCEDES-BENZ
A2044210912	MERCEDES-BENZ
A2044212712	MERCEDES-BENZ
A2044212812	MERCEDES-BENZ
A2044213612	MERCEDES-BENZ
A2044210912	MERCEDES-BENZ (BBDC)
A2044212812	MERCEDES-BENZ (BBDC)
A2044213612	MERCEDES-BENZ (BBDC)